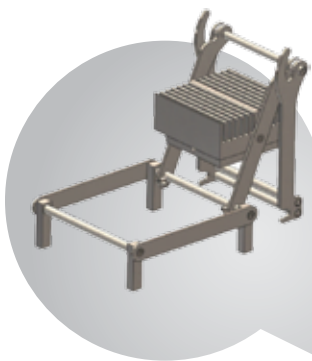
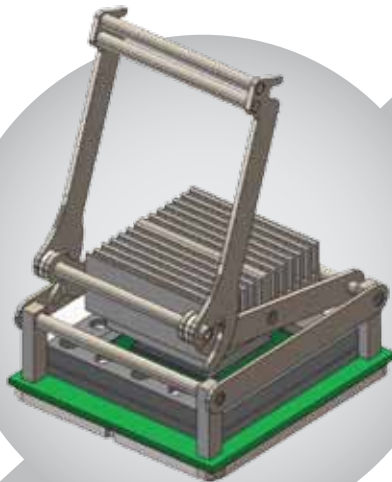


Get Control Over Your Burn-in Costs



E Junior

- > ES Junior Universal Clamping Mechanism
- > Reusable Modular Design
- > Interchangeable Heat sink Options
- > RTD and Heater Options
- > Easy Maintenance and Repair
- > Low Cost Off the Shelf Component
- > Direct ES Junior Sales Available



H-Pin

- > H038 & H057 Series H-Pin® (LGA & BGA)
- > 2 to 3 amp CCC at room temperature
- > < 35mΩ Stable CRES >50K cycles
- > < 1nH Self Inductance
- > Bandwidth: 15GHz to 18GHz @ -1dB
- > 0.43mm & 0.50mm Working Travel
- > 100% Automated Assembly and QC
- > Platform Product: BI, Test, SLT
- > On-Demand Inventory Program
- > Direct Pin Sales Available



Contactor Insert

- > E Series Contactor Insert (30mm to 45mm packages)
- > 0.50mm & 0.80mm pitch for both LGA and BGA
- > Reconfigurable Pin Pattern for Reuse or Depopulation
- > Replaceable Pins & Field Repairable
- > Low Cost Off the Shelf Component
- > Direct Contactor Sales Available

