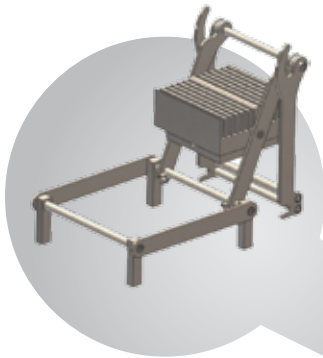


Get Control Over Your Burn-in Costs

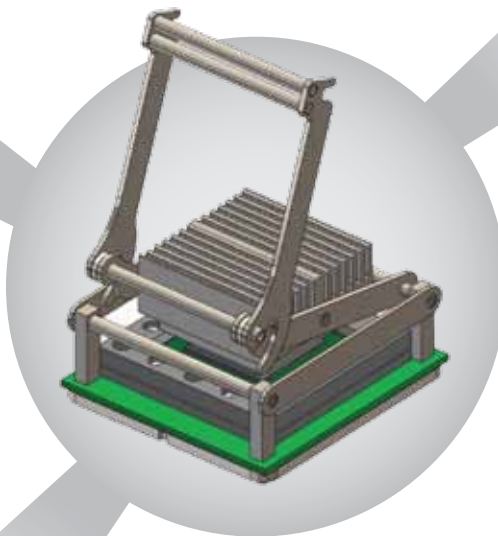
The ES2 & H Series Contactor Insert system developed by Plastronics provides you with reusable hardware, reconfigurable inserts and easy H-Pin® replacement / repair. This insert system will ensure all your difficult high-power, high-frequency programs are completed on time and under budget!

save up to 25% on repeat programs



ES2

- > ES2 Universal Clamping Mechanism
- > Reusable Modular Design
- > Interchangeable Heat sink Options
- > RTD and Heater Options
- > Easy Maintenance and Repair
- > Low Cost Off the Shelf Component
- > Direct ES2 Sales Available



Contactor Insert

- > H Series Contactor Insert (45mm to 60mm packages)
- > 1.0mm pitch for both LGA and BGA
- > Reconfigurable Pin Pattern for Reuse or Depopulation
- > Replaceable Pins & Field Repairable
- > Low Cost Off the Shelf Component
- > Direct Contactor Sales Available



H-Pin

- > H077 Series H-Pin® (LGA & BGA)
- > 4 amp CCC at room temperature
- > < 20mΩ Stable CRES >50K cycles
- > 1nH Self Inductance
- > Bandwidth: 23.3GHz @ -1dB
- > 0.70mm Working Travel
- > 100% Automated Assembly and QC
- > Platform Product: BI, Test, SLT
- > On-Demand Inventory Program
- > Direct Pin Sales Available

Reduce your program lead-times up to 50%



