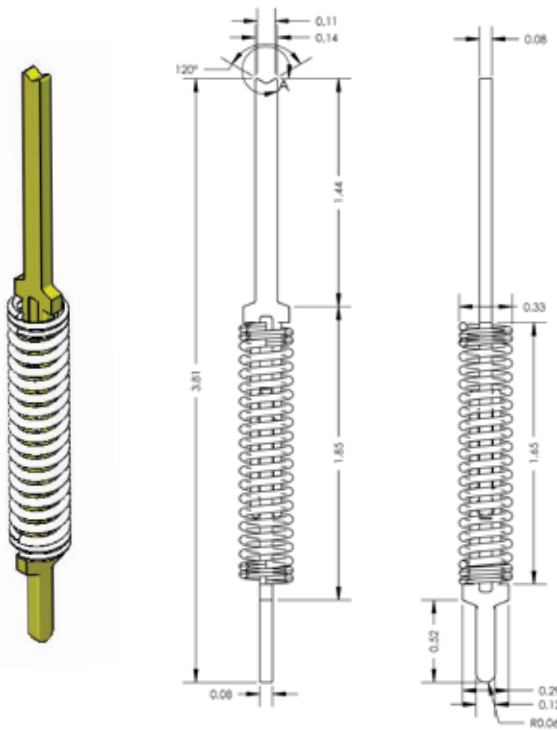


High performance...
...very low cost



MECHANICAL PROPERTIES

Pitch: 0.40mm (min)
Working Travel: 0.40mm
Contact Force : 14.3gf
Length: 2.89mm to 3.81mm
Operating Temperature: -55°C to +180°C
Mechanical Life: >50,000 cycles

ELECTRICAL PROPERTIES

Contact Resistance: <50 mΩ
Current Rating (free air): 1.8A
Self Inductance: 0.75 nH
Capacitance: 0.067 pF
Bandwidth @ -1dB: 10.0 GHz

MATERIALS

Stamped Contact: BeCu, Au Plate
Spring: SS, Au Plate

- ✓ Access to a high performance pin at a very low cost
- ✓ Ability to reduce cost through blanket purchases
- ✓ Stable high volume, 100% automated supply chain
- ✓ On-site inventory – zero cost and zero lead-time

Contact Us:
www.h-pins.com

H033DL1A

H-Pin Series

H033 – 0.40mm

Top Contactor

D - BGA TIP
L - LGA TIP

Options

A – Au Plating

Spring Type

(full deflection)
1 = 14.3gf

Bottom Contactor

L – LGA TIP

