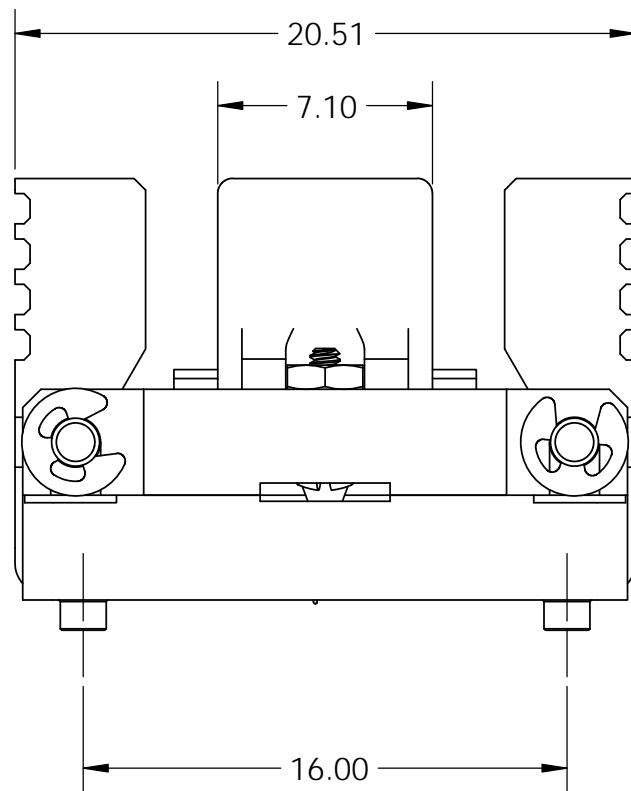
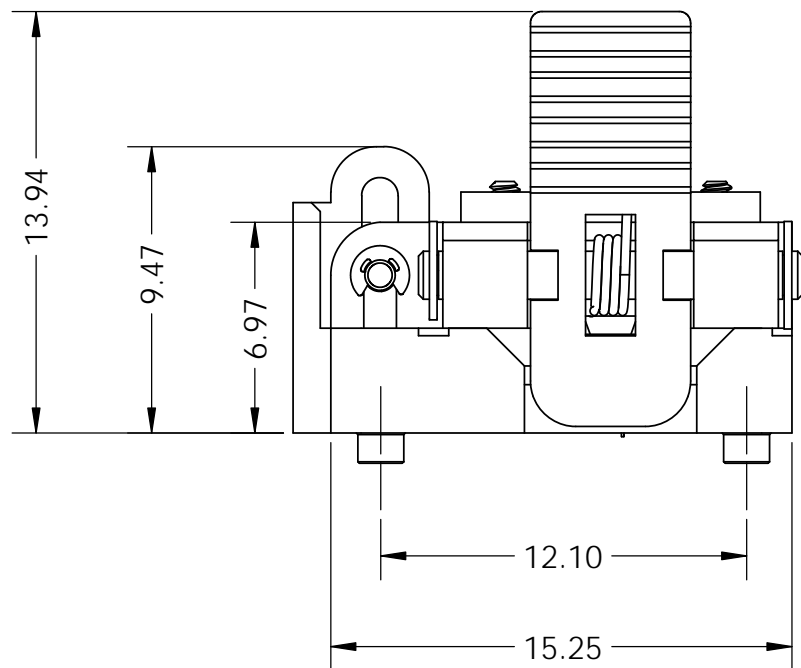
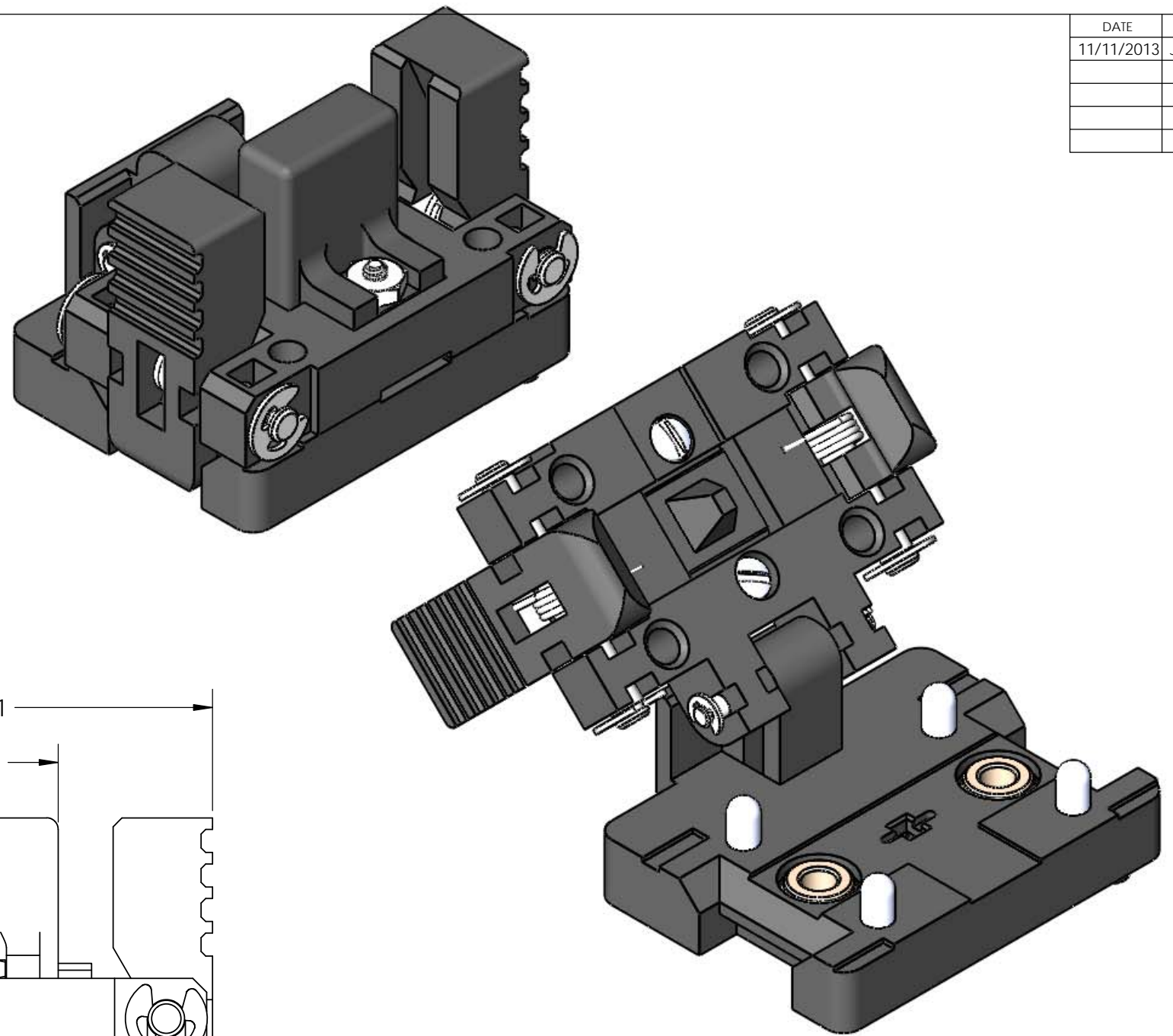
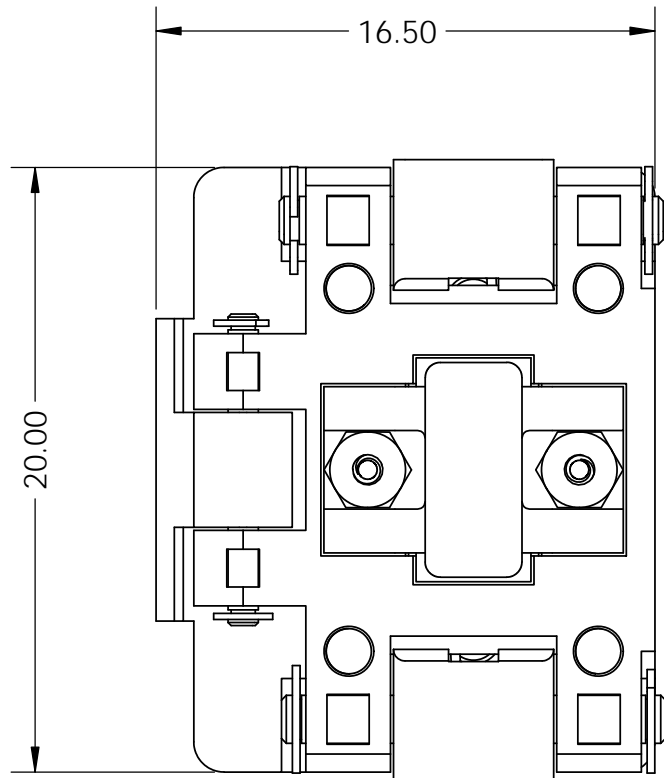


DATE	DRN
11/11/2013	JLO



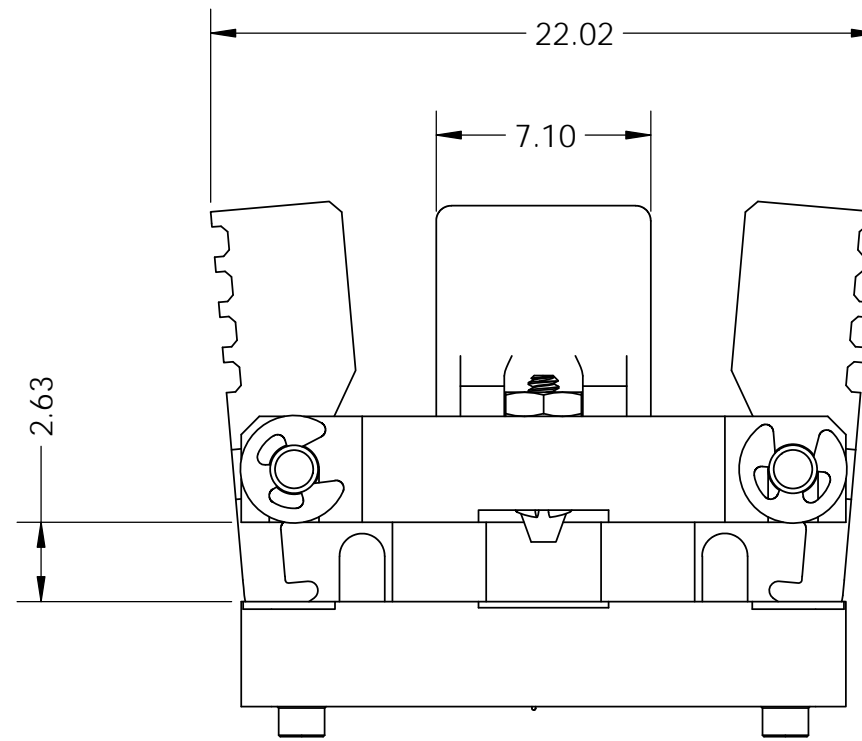
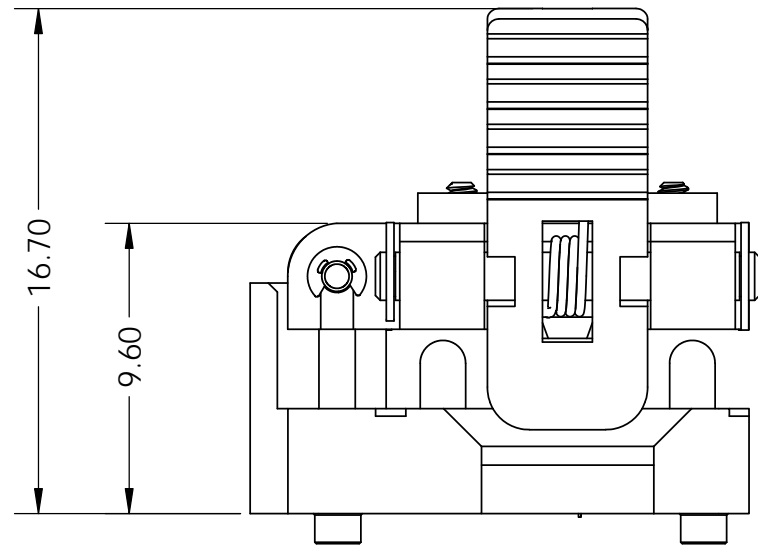
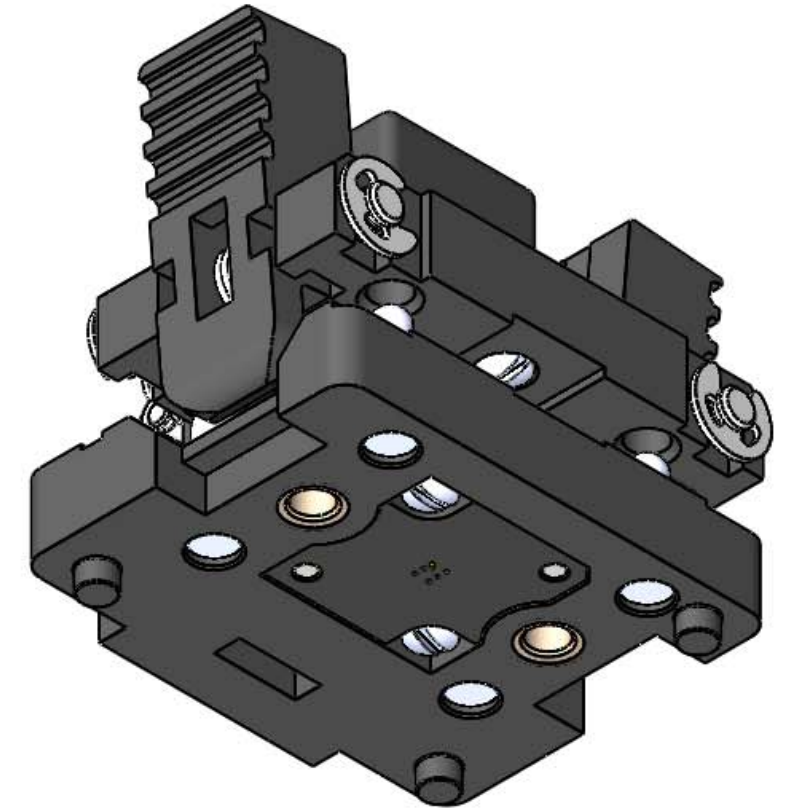
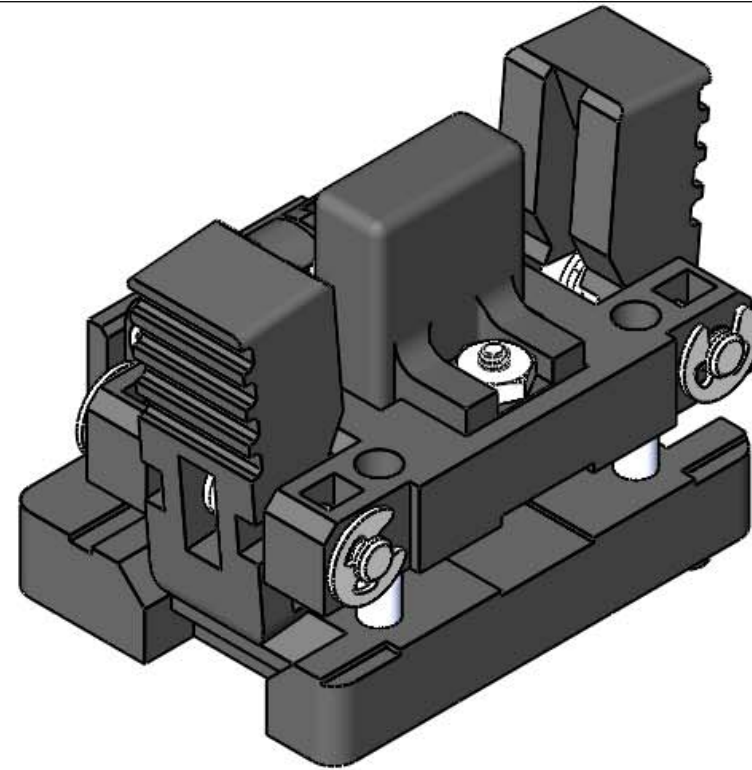
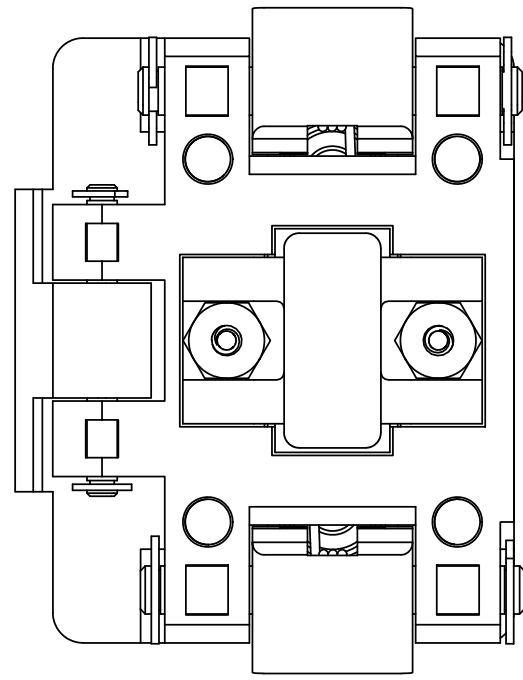
CLOSED POSITION

- FEATURES:**
- VERTICAL ACTUATION
 - HPIN COMPATIBLE

P/N: 06LHN40A01

PROPRIETARY


THIS DRAWING IS SUBJECT TO CHANGE WITHOUT NOTICE. PLEASE REQUEST A CURRENT DRAWING WHEN LAYING OUT BOARDS.	SIZE: B	NAME	DATE	DWG NO. S06LHN40A01	SHEET 1 OF 4
	DRAWN	JLO	11/11/2013	TITLE: 1.00 mm X 1.20 mm SMALL QFN SOCKET (6 POS VISHAY IC)	
	SCALE: N/A	CHECKED			
	UNITS: mmgs	ENG APPR.			
SOLIDWORKS CREATED FILE	MFG APPR.			PLASTRONICS 2601 Texas Drive SOCKETS & CONNECTORS Irving, TX 75062	

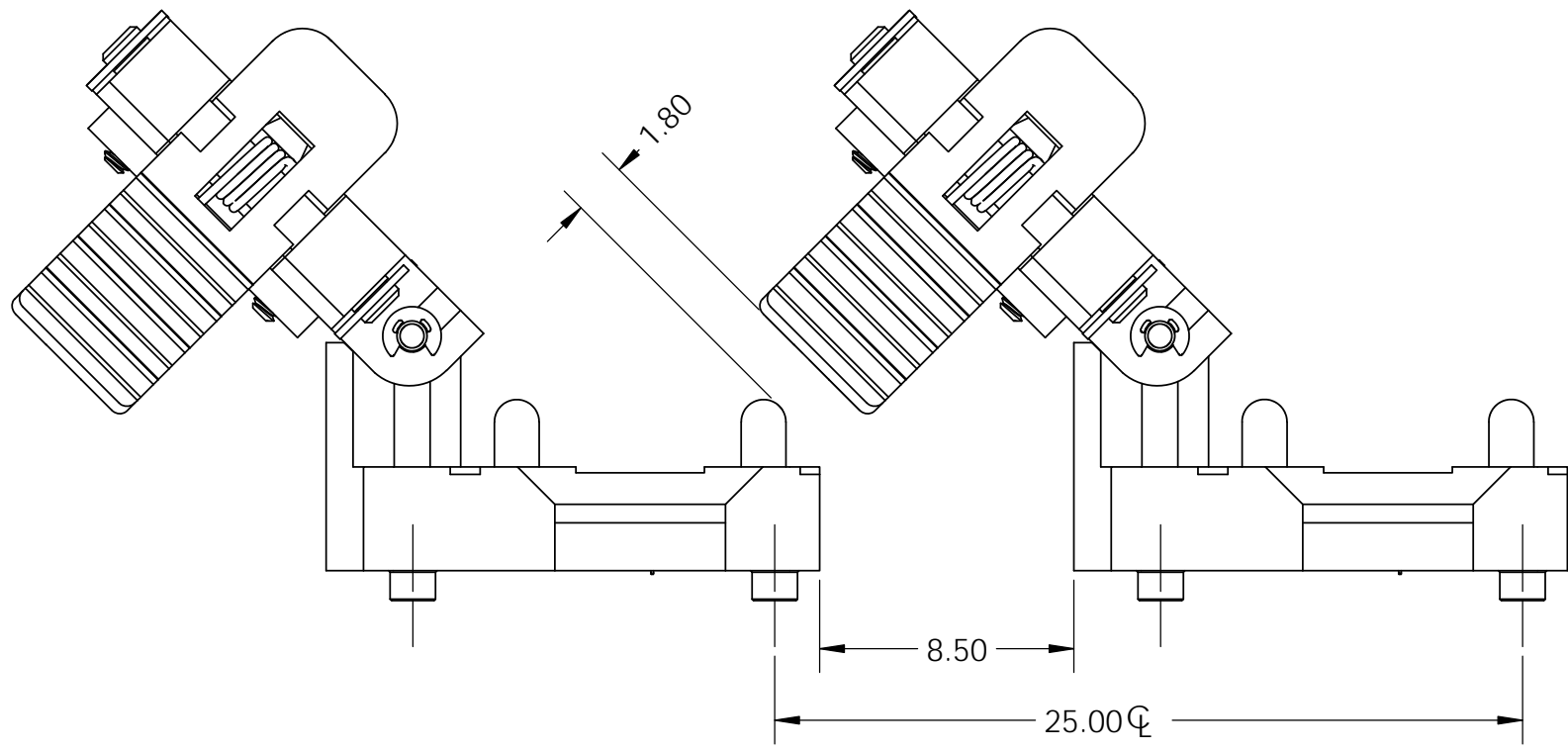


PARALELL-OPEN POSITION

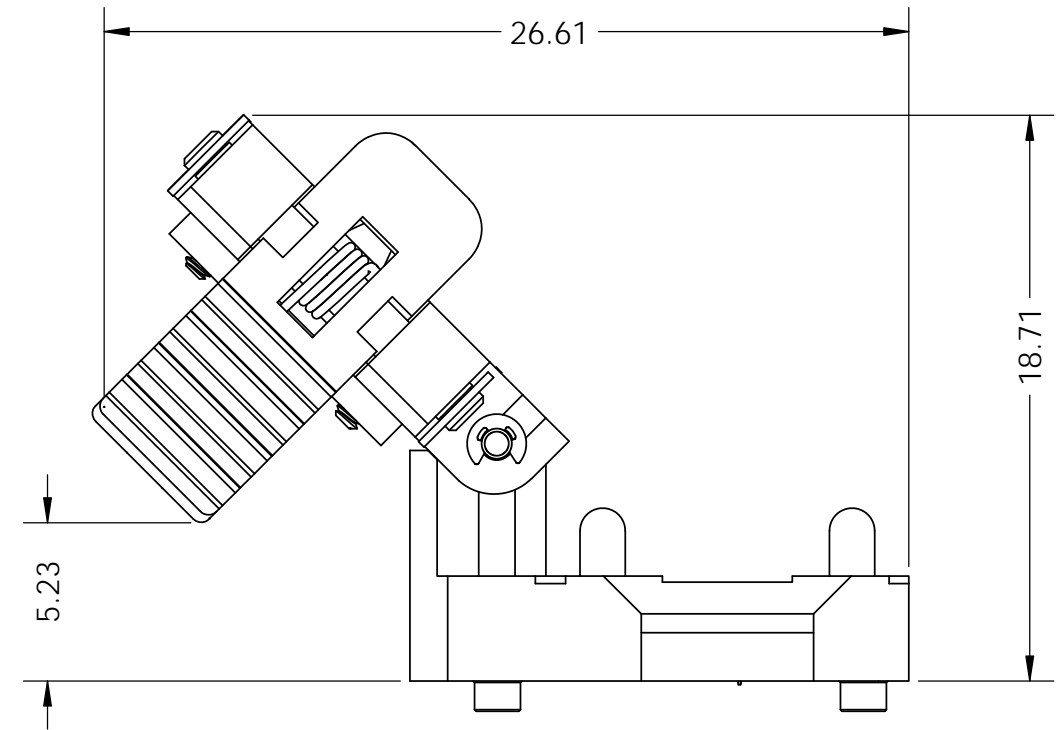
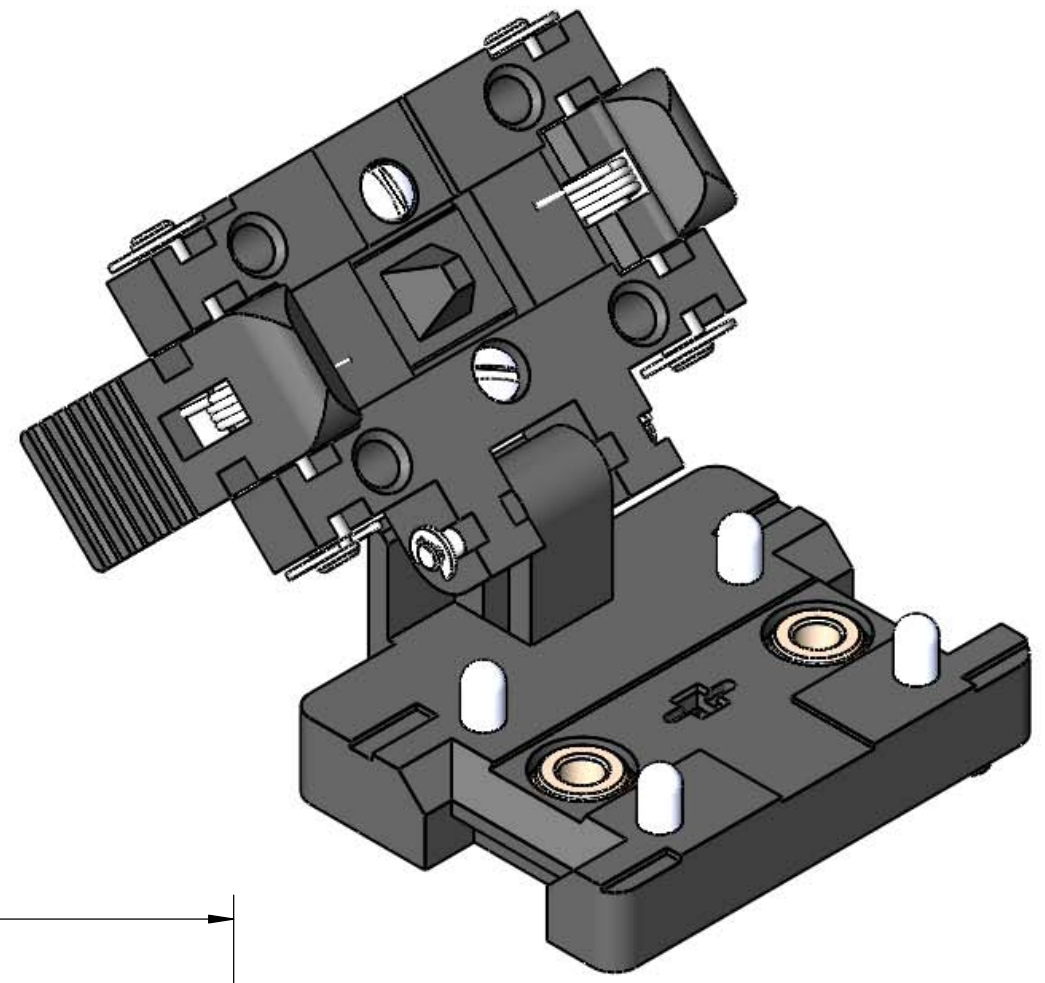
P/N: 06LHN40A01

PROPRIETARY

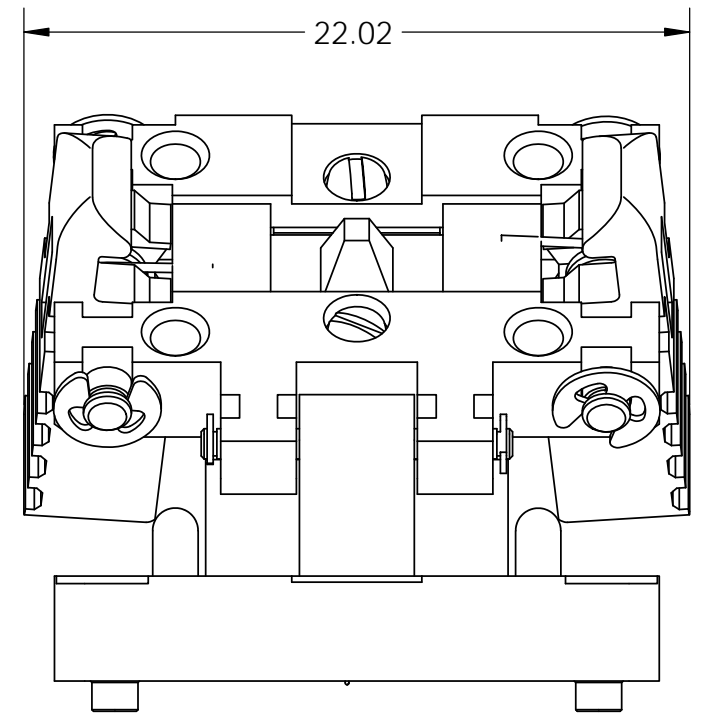
THIS DRAWING IS SUBJECT TO CHANGE WITHOUT NOTICE. PLEASE REQUEST A CURRENT DRAWING WHEN LAYING OUT BOARDS.	SIZE: B	NAME	DATE	DWG NO. S06LHN40A01	SHEET 2 OF 4
	DRAWN	JLO	7/3/2013	TITLE: 1.00 mm X 1.20 mm SMALL QFN SOCKET (6 POS VISHAY IC)	
	SCALE: N/A	CHECKED			
	UNITS: mmgs	ENG APPR.			
SOLIDWORKS CREATED FILE	MFG APPR.			 2601 Texas Drive Irving, TX 75062	



MINIMUM SIDE-TO-SIDE CLEARANCE DISTANCES



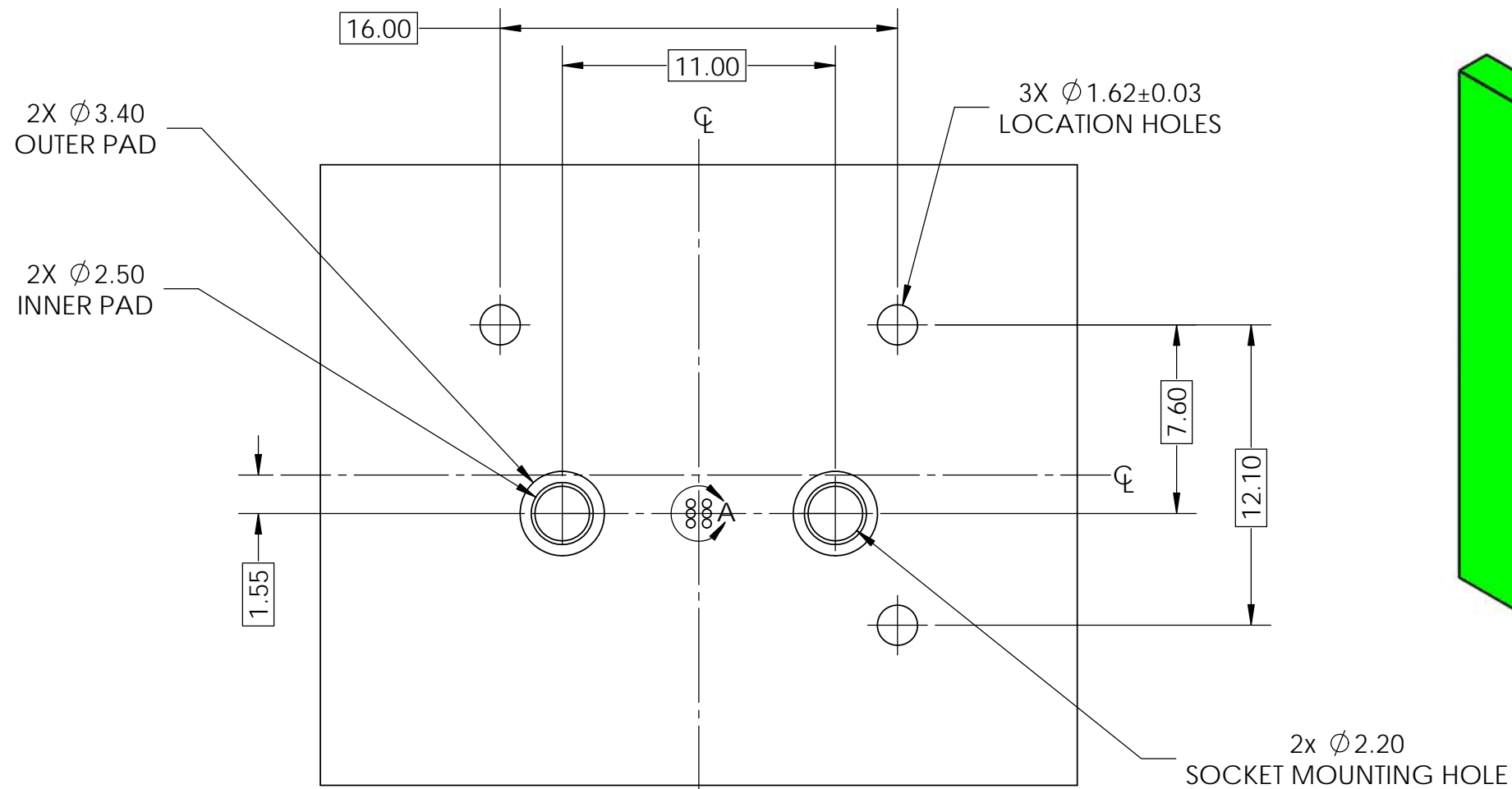
FULLY-OPEN POSITION



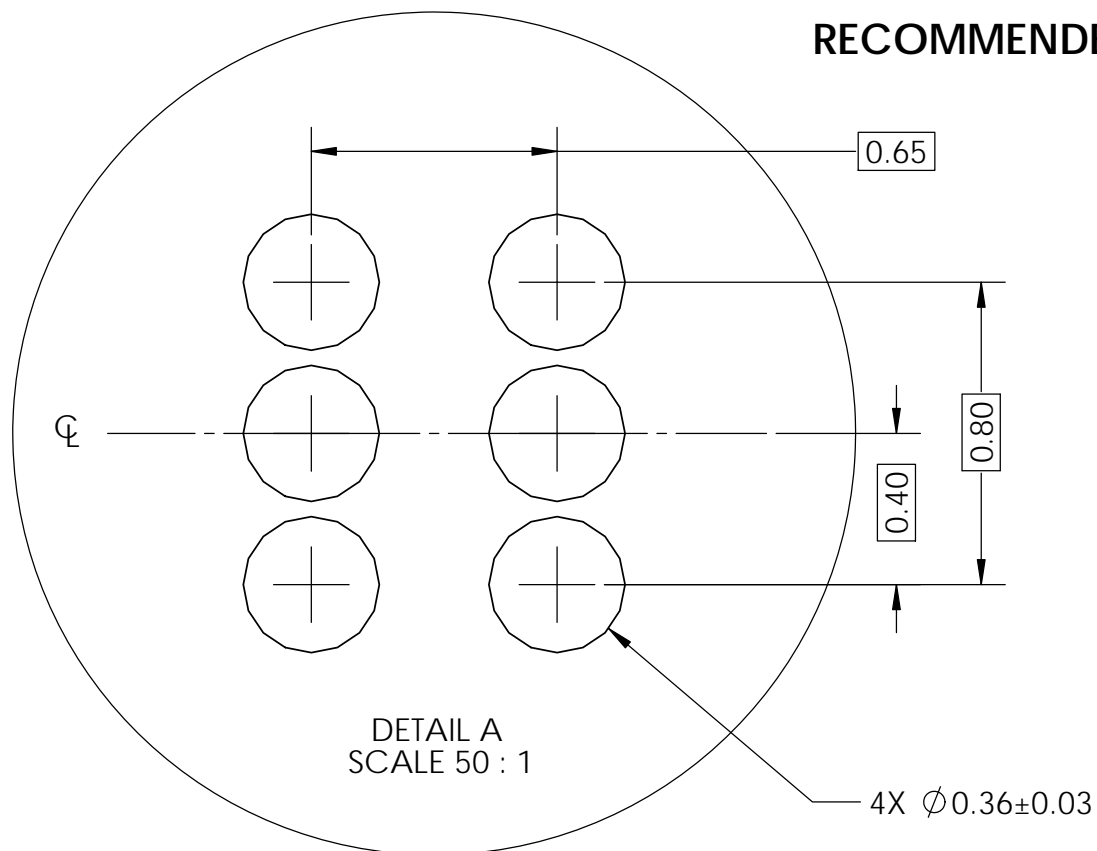
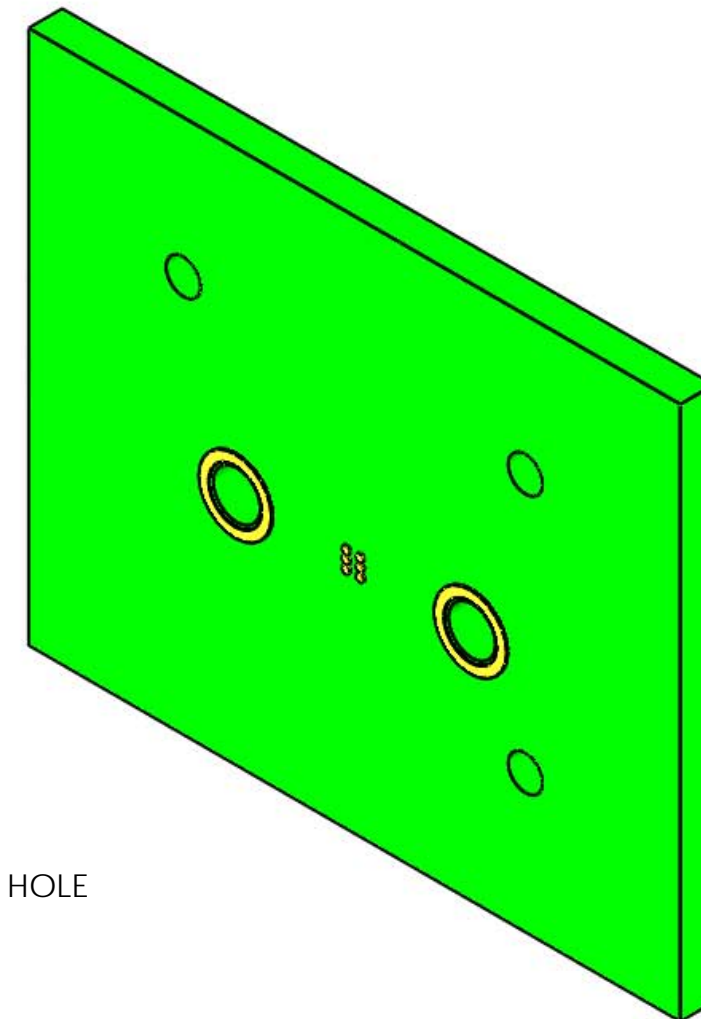
P/N: 06LHN40A01

PROPRIETARY

THIS DRAWING IS SUBJECT TO CHANGE WITHOUT NOTICE. PLEASE REQUEST A CURRENT DRAWING WHEN LAYING OUT BOARDS.	SIZE: B	NAME	DATE	DWG NO. S06LHN40A01	SHEET 3 OF 4
	DRAWN	JLO	7/3/2013	TITLE: 1.00 mm X 1.20 mm SMALL QFN SOCKET (6 POS VISHAY IC)	
	SCALE: N/A	CHECKED			
	UNITS: mmgs	ENG APPR.			
SOLIDWORKS CREATED FILE	MFG APPR.				



RECOMMENDED PCB LAYOUT



NOTES:

1. NORMAL FORCE PER SPRING PROBE = 12 gf. TOTAL NORMAL FORCE APPLIED BY SOCKET IN LOADED CONDITION = 4 X 12gf = 48gf [0.105 lbf]
2. SUGGESTED PCB PAD PLATING: 30 µin. HARD Au OVER 300 µin. NI OVER 1oz. MIN Cu.
3. All Au PADS SHOULD BE THE SAME THICKNESS.
4. BOARD LAYOUT TOLERANCE ±.05 mm
5. NO FILLED VIAS.
6. VIA'S MUST BE OFFSET FROM CONTACT PADS.

P/N: 06LHN40A01

PROPRIETARY

THIS DRAWING IS SUBJECT TO CHANGE WITHOUT NOTICE. PLEASE REQUEST A CURRENT DRAWING WHEN LAYING OUT BOARDS.	SIZE: B	NAME	DATE	DWG NO. S06LHN40A01	SHEET 4 OF 4
	DRAWN	JLO	7/3/2013	TITLE: 1.00 mm X 1.20 mm SMALL QFN SOCKET (6 POS VISHAY IC)	
SCALE: N/A	CHECKED				
UNITS: mmgs	ENG APPR.				
SOLIDWORKS CREATED FILE	MFG APPR.				



2601 Texas Drive
Irving, TX 75062