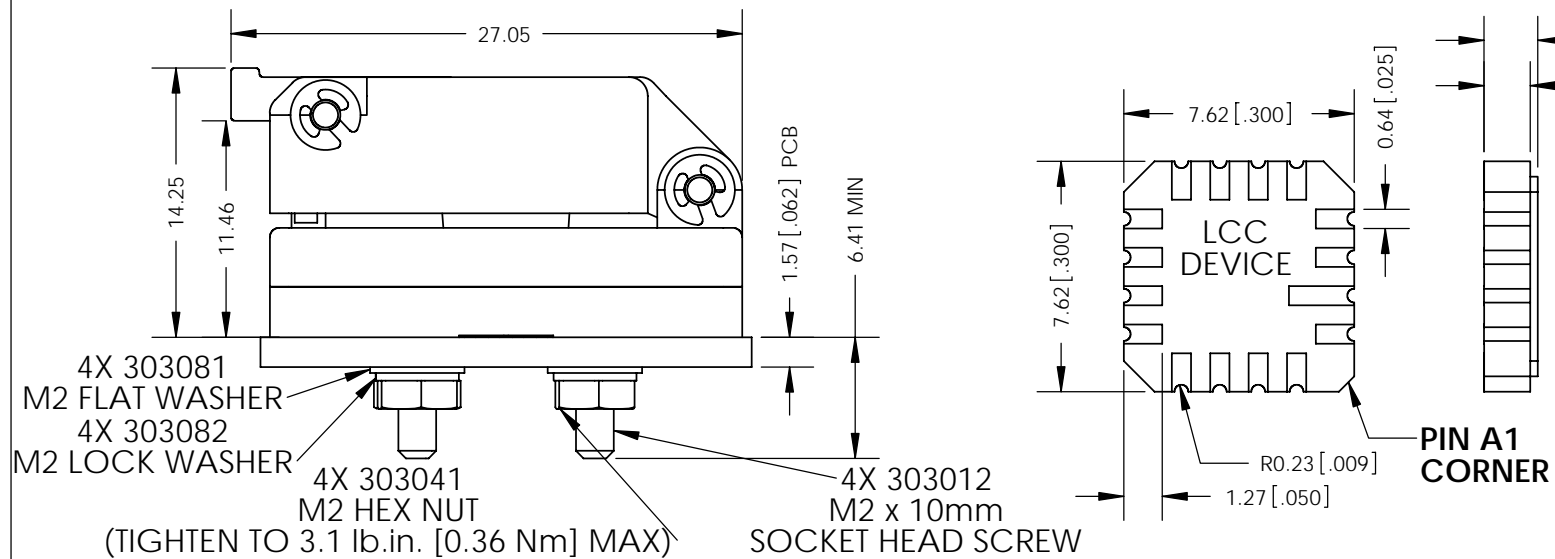
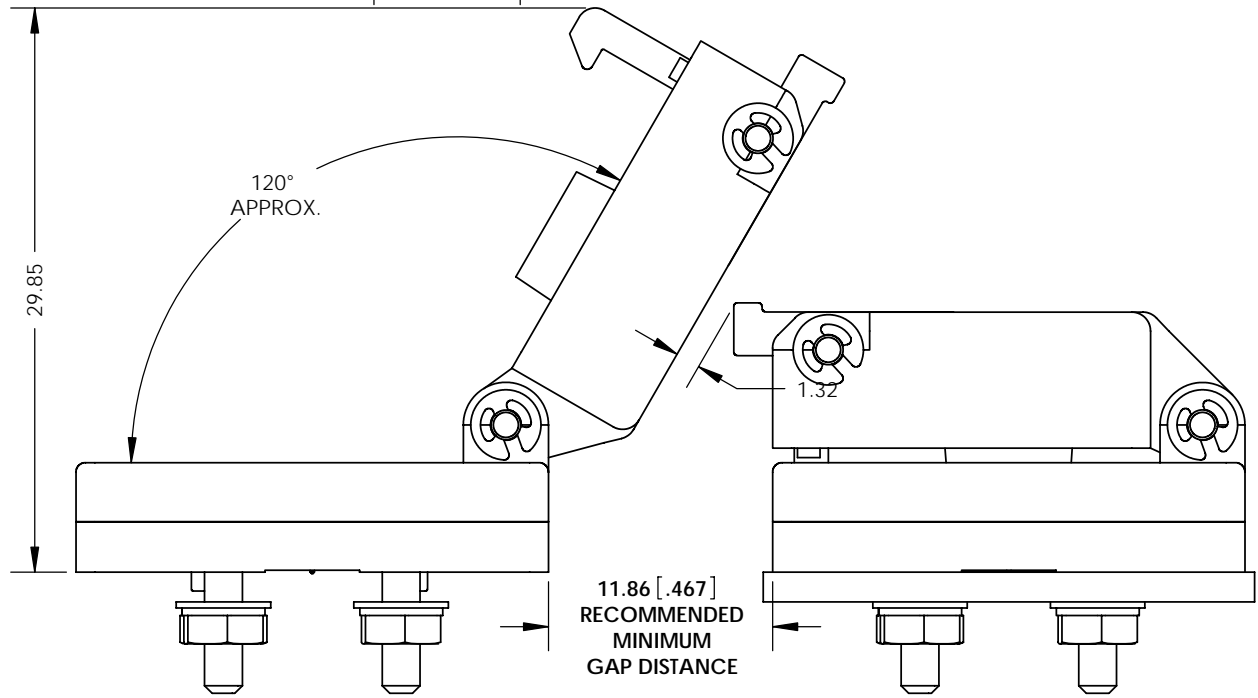
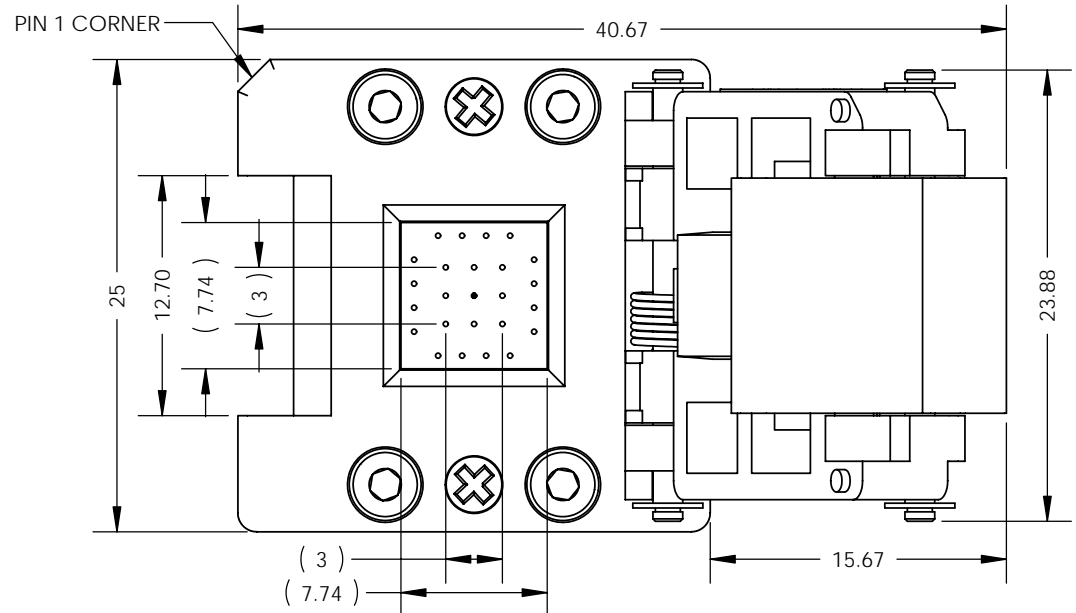
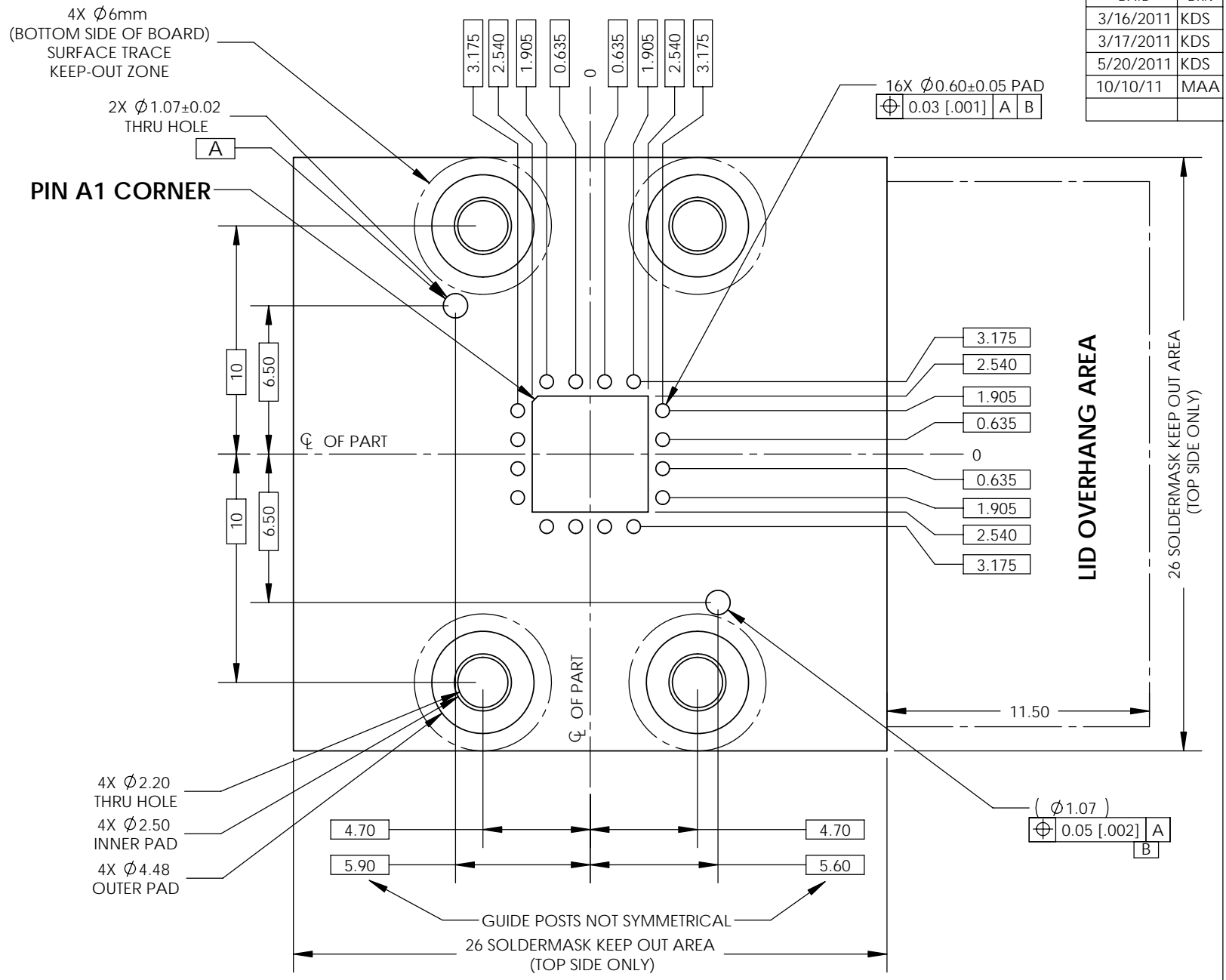


DATE	DRN
3/16/2011	KDS
3/17/2011	KDS
5/20/2011	KDS
10/10/11	MAA



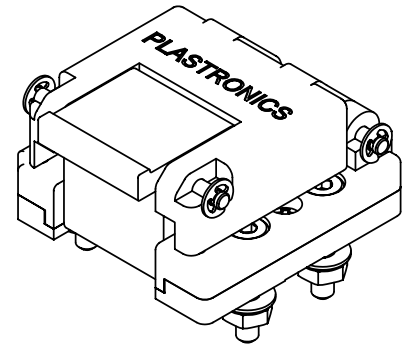
- 4X 303081 M2 FLAT WASHER
- 4X 303082 M2 LOCK WASHER
- 4X 303041 M2 HEX NUT (TIGHTEN TO 3.1 lb.in. [0.36 Nm] MAX)
- 4X 303012 M2 x 10mm SOCKET HEAD SCREW



**TOP VIEW OF BOARD**

- NOTES:
1. PCB PAD PLATING: 30 µin. HARD Au OVER 300 µin. Ni OVER 1oz. MIN. Cu
  2. ALL Au PADS SHOULD BE SAME THICKNESS.
  3. BOARD LAYOUT TOLERANCE: ± .05.
  4. NO FILLED VIAS.
  5. VIAS MUST BE OFFSET FROM CONTACT PADS.

P/N: 16CHC12A02 PROPRIETARY



- FEATURES:
- PIN = H038LL1A
  - 9 CENTER PINS
  - M2 PCB HARDWARE

THIS DRAWING IS SUBJECT TO CHANGE WITHOUT NOTICE. PLEASE REQUEST A CURRENT DRAWING WHEN LAYING OUT BOARDS.	SIZE: B	NAME: KDS	DATE: 3/16/2011	DWG NO. S16CHC12A02	SHEET 1 OF 1
	DRAWN	CHECKED	ENG APPR.	TITLE: C-SERIES LCC H-PIN, 7.62 x 7.62mm DEVICE, 1.27mm PITCH, 16+9x H-PINS	
SCALE: VAR.	UNITS: mmgs	SOLIDWORKS CREATED FILE	MFG APPR.	2601 Texas Drive Irving, TX 75062	