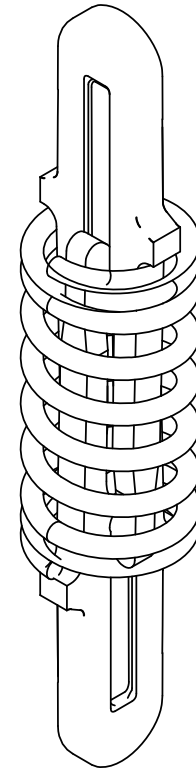
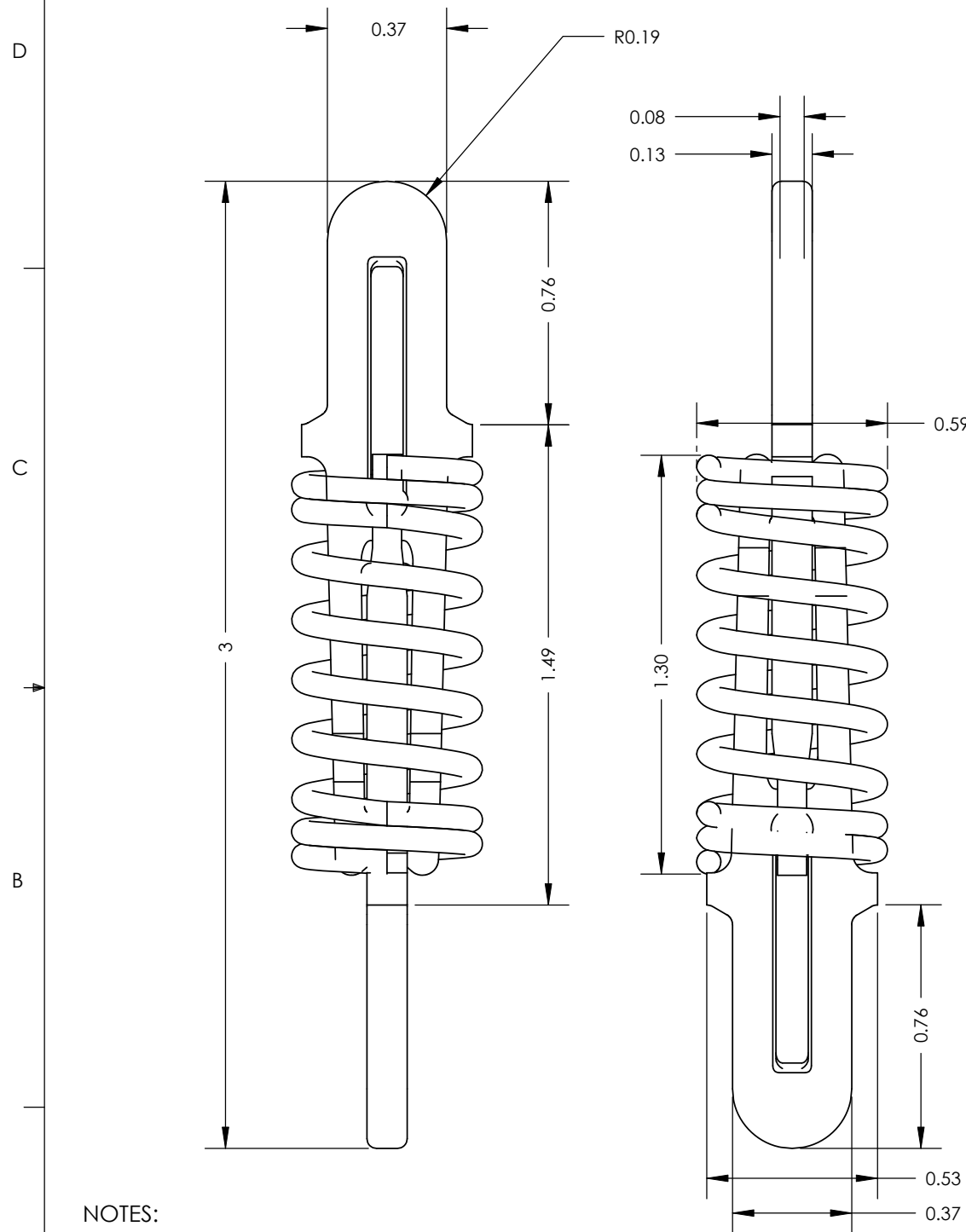
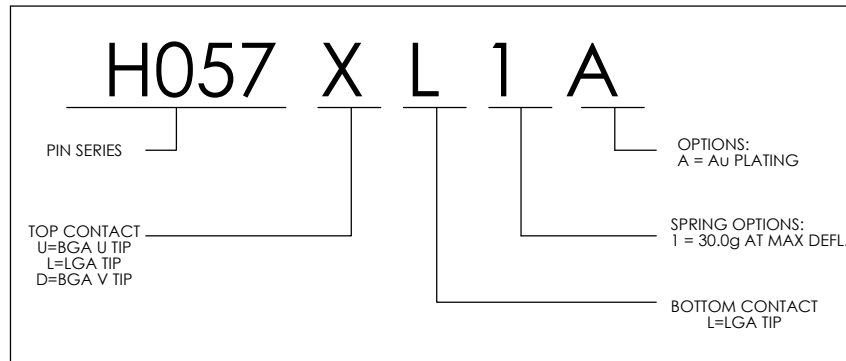


H057LL1A LGA VERSION

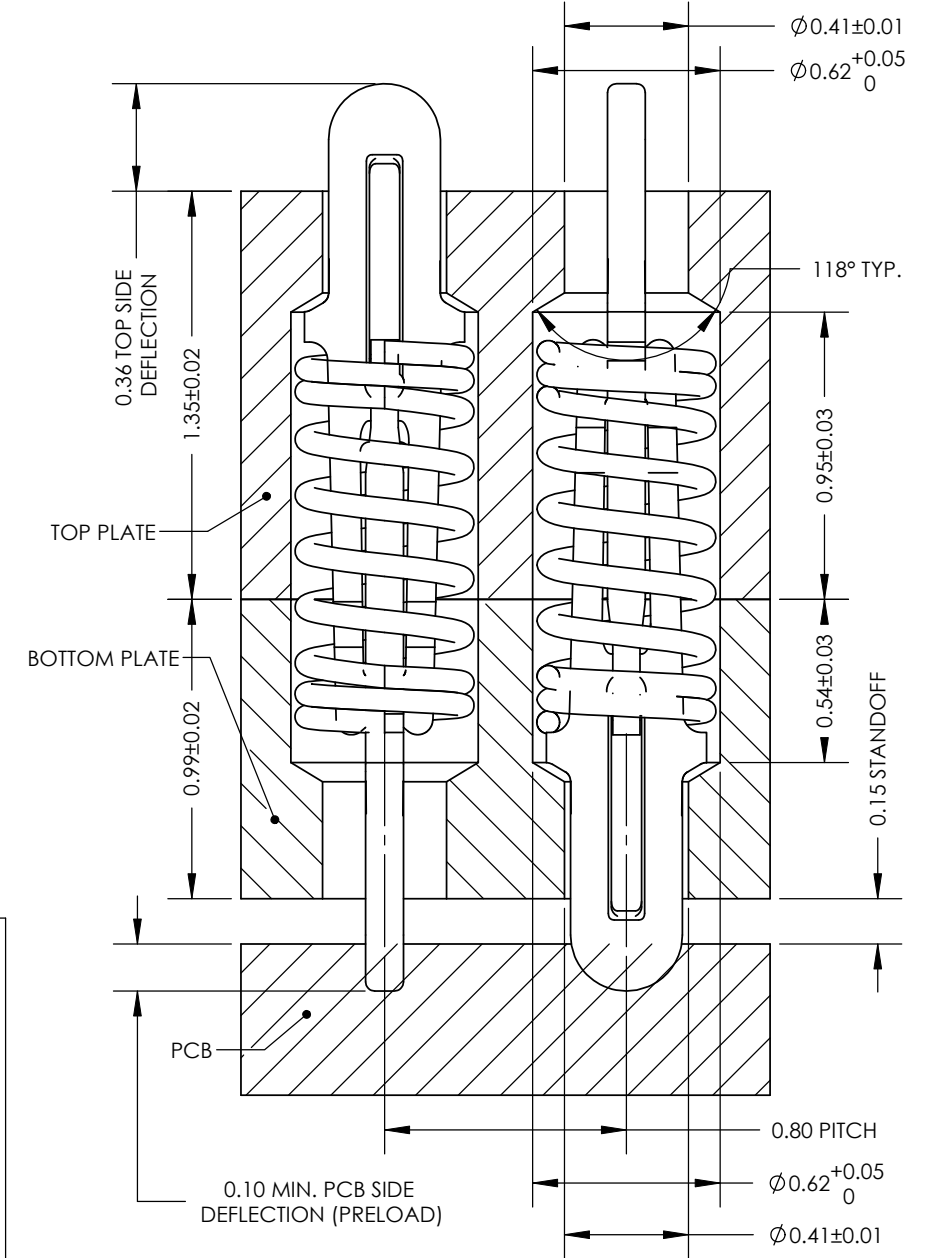
REVISIONS				
REV.	ECO NO.	DESCRIPTION	DATE	DRN
E	09-318	UPDATED FORCES	9/22/09	JMR
F	09-414	UPDATED PER MKTG REQUESTS	11/19/2009	JMR
G	10-162	PIN CAVITY UPDATES/ VARIOUS FIXES	4/26/2010	KDS
H	10-445	UPDATE BGA LIFTER PLATES TO C-BORES	12/2/2010	KDS



H057 SERIES FORCE DATA (Post-Plating)	
DESCRIPTION	H057XL1A
FORCE @ PIN PRELOAD (0.00mm DEFLECTION)	9.4g
FORCE @ PCB MOUNT (0.10mm DEFLECTION)	14.0g
FORCE @ WORKING TRAVEL (0.5mm DEFLECTION)	30.0g



RECOMMENDED PIN CAVITY DESIGN



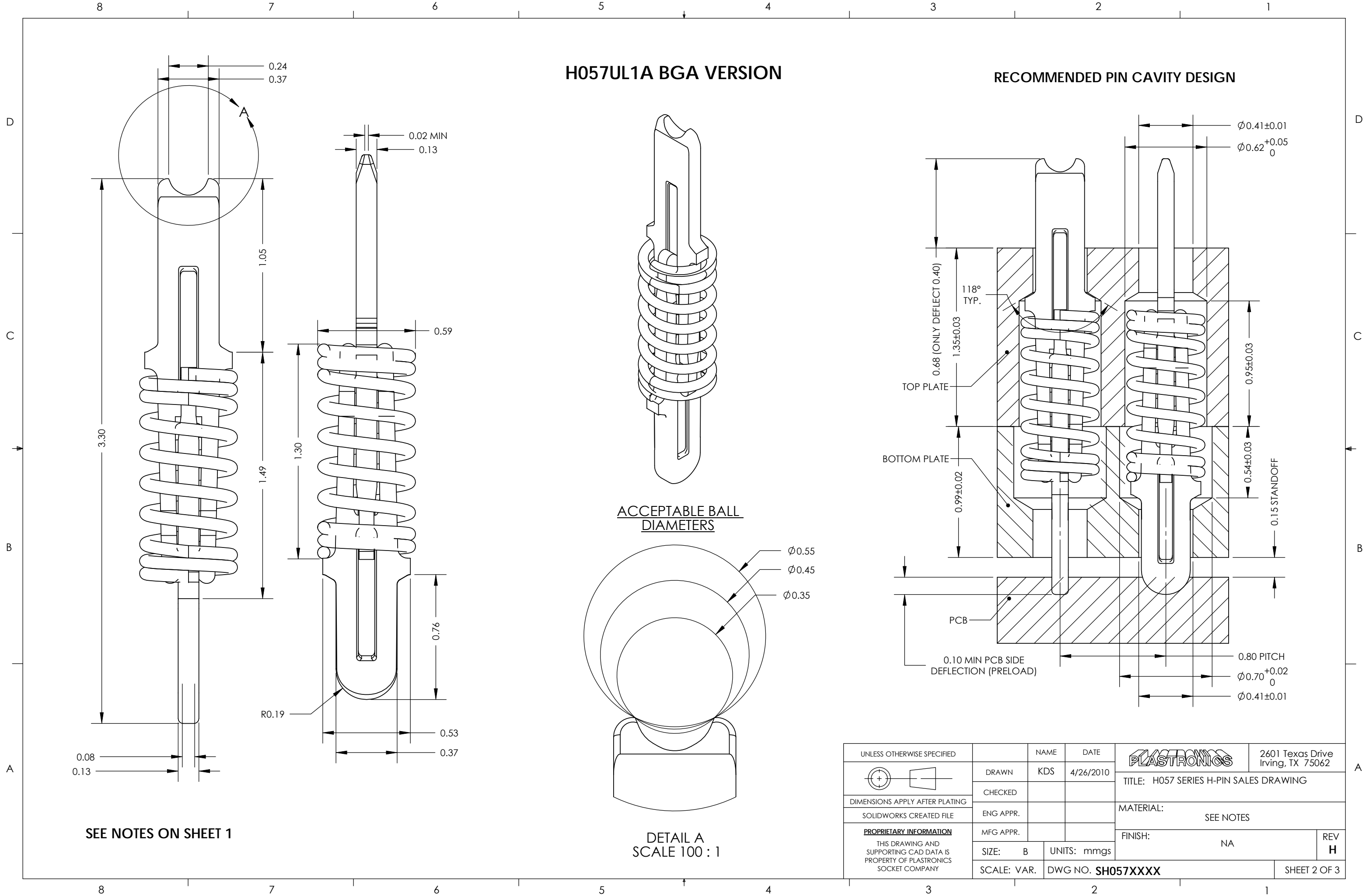
NOTES:

1. RECOMMENDED PCB PRELOAD: 0.1mm MIN.
2. CONTACT MATERIAL: BeCu, Au PLATED OVER Ni
3. SPRING MATERIAL: STAINLESS STEEL, Au PLATED OVER Ni
4. POINTING ACCURACY OF TIP: j OF 0.088mm
5. OPERATING TEMP: -55°C TO +180°C
6. CONTACT RESISTANCE: <30 mΩ
7. CURRENT RATING: 3A @ ROOM TEMP WITH 30°C TEMP RISE
8. BANDWIDTH @ -1dB: 18GHz
9. SELF INDUCTANCE : 0.95nH
10. MECHANICAL LIFE : >125,000 CYCLES
11. PINS ARE SUPPLIED PACKAGED IN AN ANTI-STAT BAG WHICH IS PLACED INSIDE A PLASTIC VIAL.

UNLESS OTHERWISE SPECIFIED		NAME	DATE	PLASTRONICS		2601 Texas Drive Irving, TX 75062	
	DRAWN	KDS	4/26/2010	TITLE: H057 SERIES H-PIN SALES DRAWING			
	CHECKED			MATERIAL: SEE NOTES			
	ENG APPR.			FINISH: NA			
	MFG APPR.			SCALE: B	UNITS: mmgs		REV H
PROPRIETARY INFORMATION THIS DRAWING AND SUPPORTING CAD DATA IS PROPERTY OF PLASTRONICS SOCKET COMPANY			SCALE: VAR.	DWG NO. SH057XXXX	SHEET 1 OF 3		

H057UL1A BGA VERSION

RECOMMENDED PIN CAVITY DESIGN

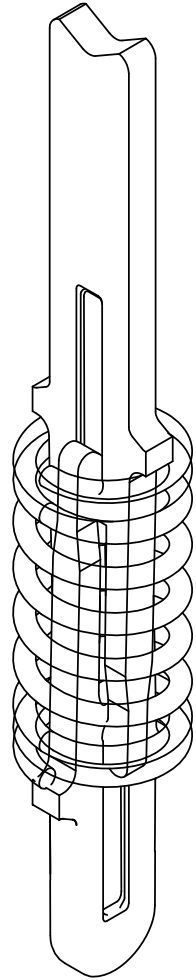
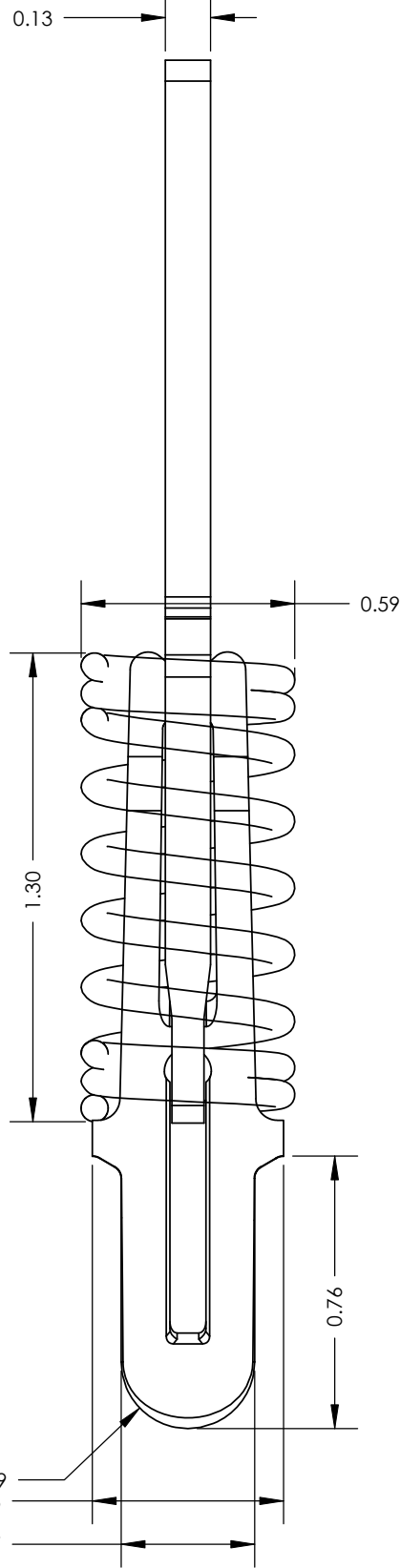
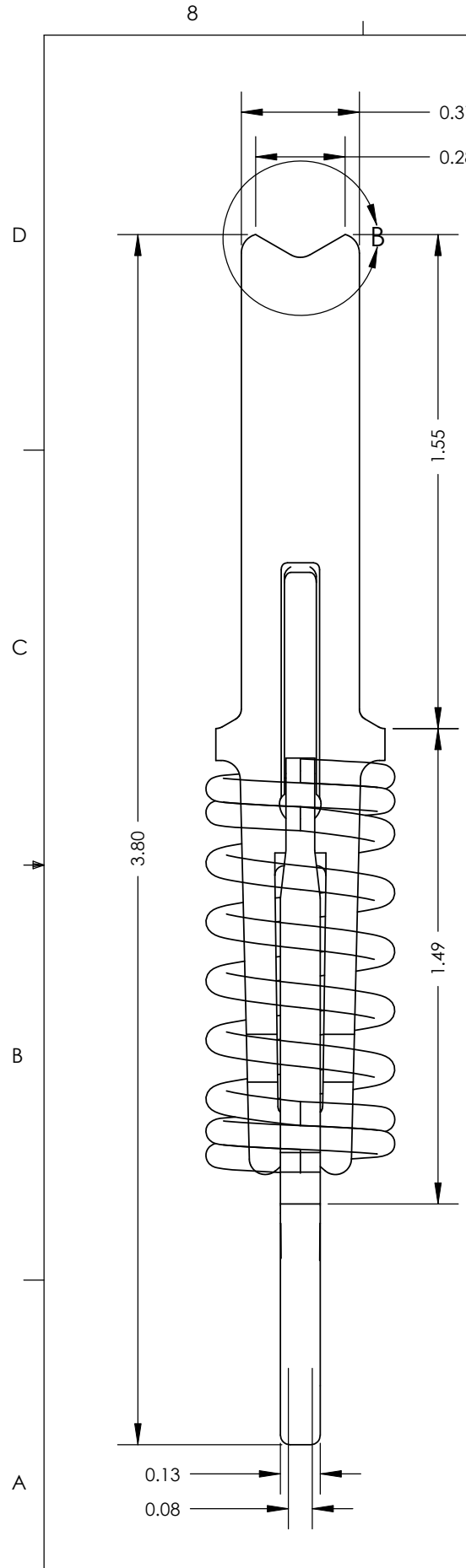


SEE NOTES ON SHEET 1

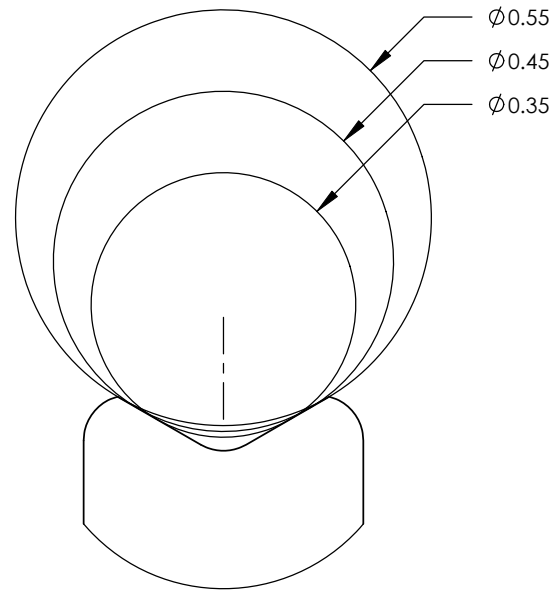
DETAIL A
SCALE 100 : 1

UNLESS OTHERWISE SPECIFIED	NAME	DATE		2601 Texas Drive Irving, TX 75062	
	DRAWN	KDS		4/26/2010	TITLE: H057 SERIES H-PIN SALES DRAWING
DIMENSIONS APPLY AFTER PLATING	CHECKED			MATERIAL: SEE NOTES	
SOLIDWORKS CREATED FILE	ENG APPR.			FINISH: NA	
PROPRIETARY INFORMATION THIS DRAWING AND SUPPORTING CAD DATA IS PROPERTY OF PLASTRONICS SOCKET COMPANY	MFG APPR.			REV	H
	SIZE: B	UNITS: mmgs			
	SCALE: VAR.	DWG NO. SH057XXXX			SHEET 2 OF 3

H057DL1A BGA VERSION

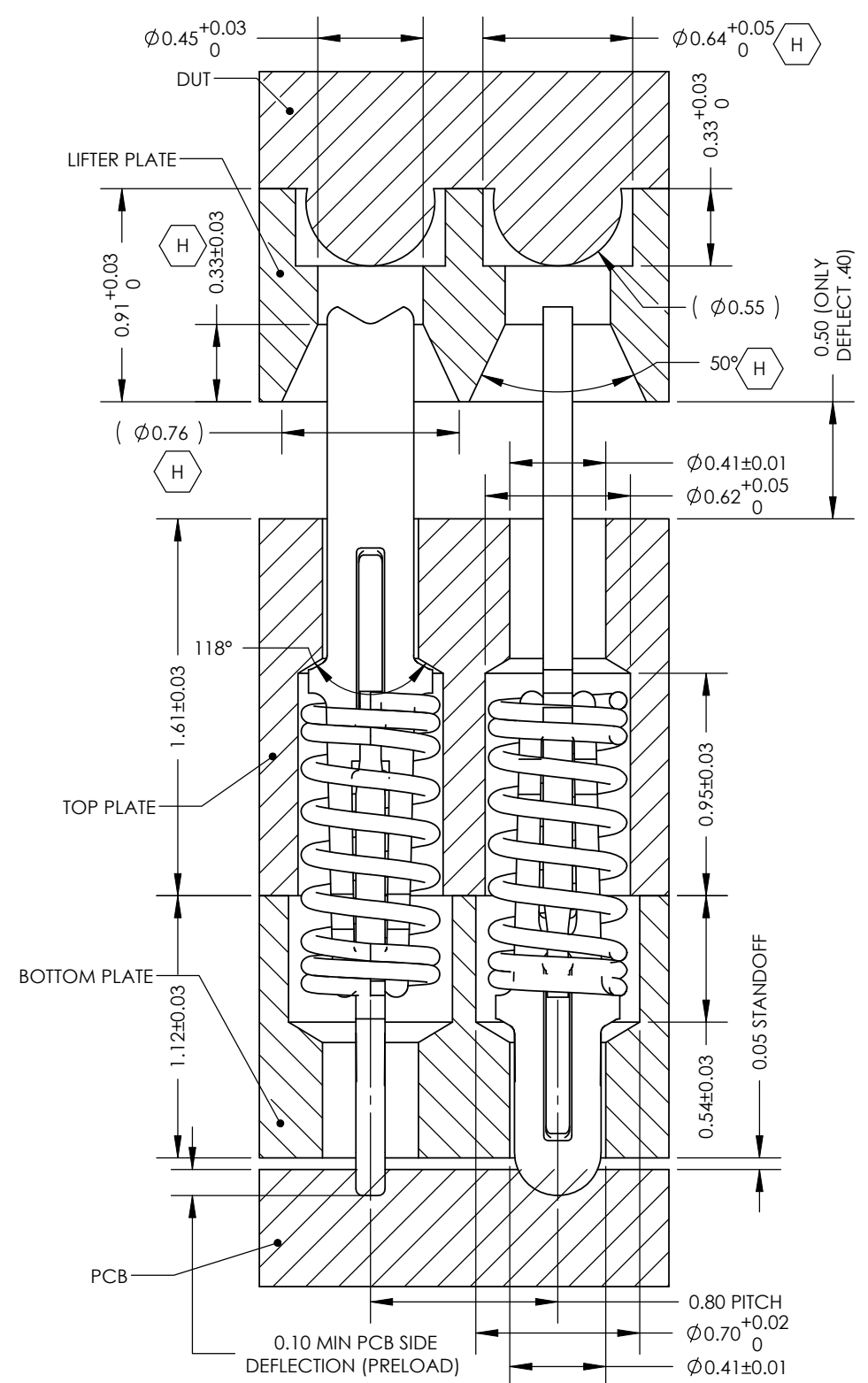


ACCEPTABLE BALL DIAMETERS



DETAIL B
SCALE 100 : 1

RECOMMENDED PIN CAVITY DESIGN



SEE NOTES ON SHEET 1

UNLESS OTHERWISE SPECIFIED	NAME	DATE			2601 Texas Drive Irving, TX 75062
	DRAWN	KDS	4/26/2010	TITLE: H057 SERIES H-PIN SALES DRAWING	
DIMENSIONS APPLY AFTER PLATING	CHECKED			MATERIAL: SEE NOTES	
SOLIDWORKS CREATED FILE	ENG APPR.			FINISH: NA	
PROPRIETARY INFORMATION THIS DRAWING AND SUPPORTING CAD DATA IS PROPERTY OF PLASTRONICS SOCKET COMPANY	MFG APPR.			REV	H
	SIZE: B	UNITS: mmgs			
	SCALE: VAR.	DWG NO. SH057XXXX	SHEET 3 OF 3		