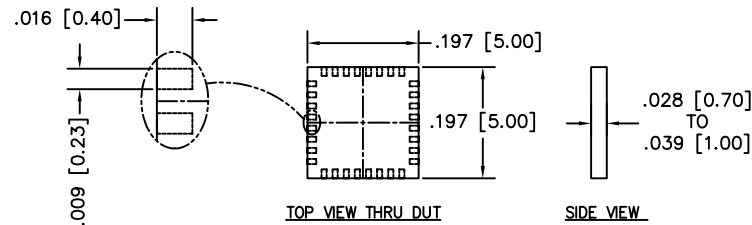
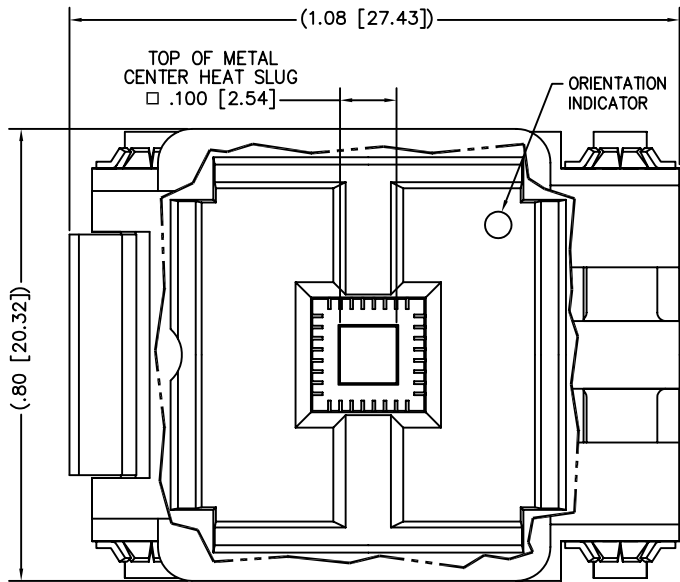
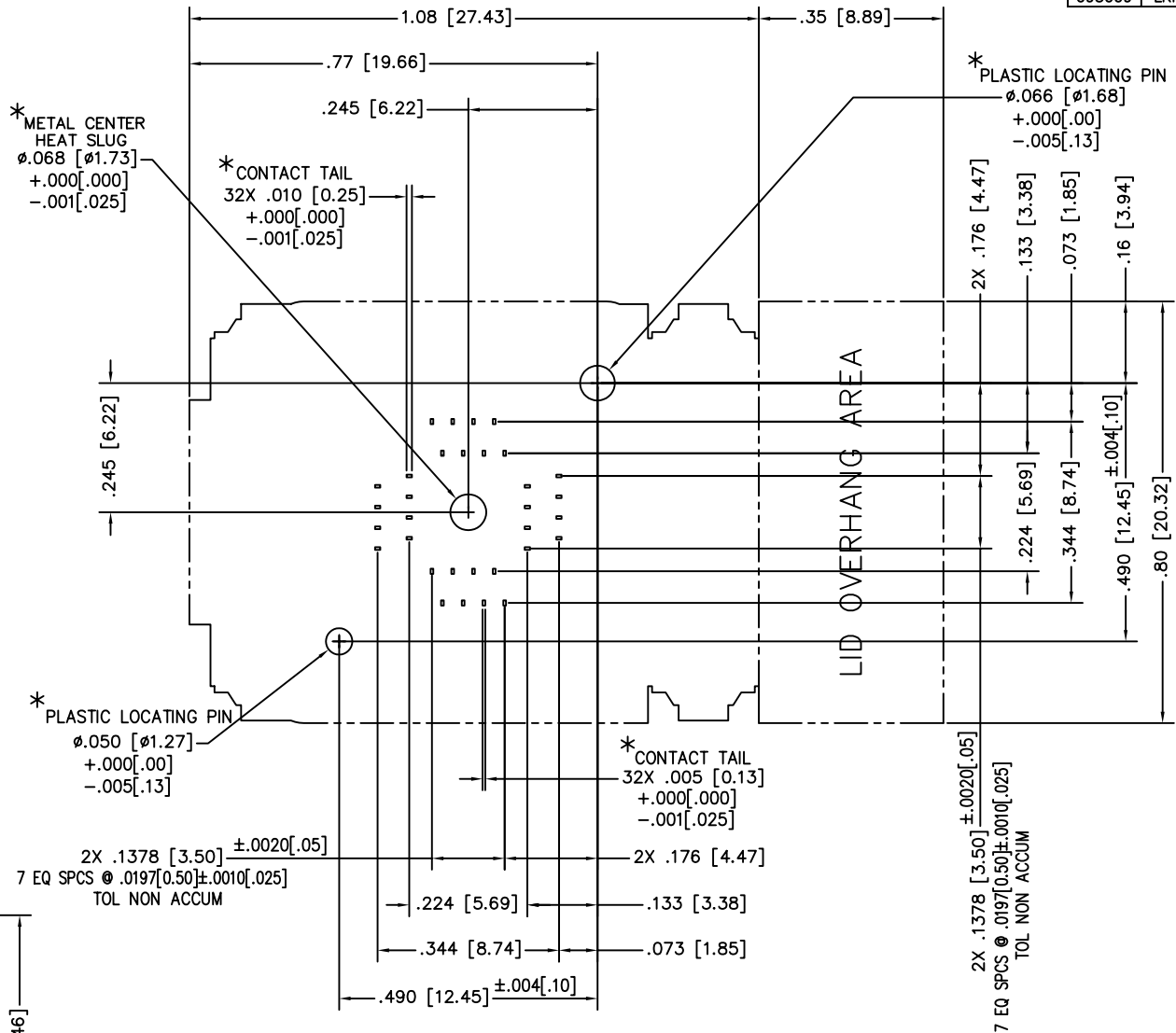
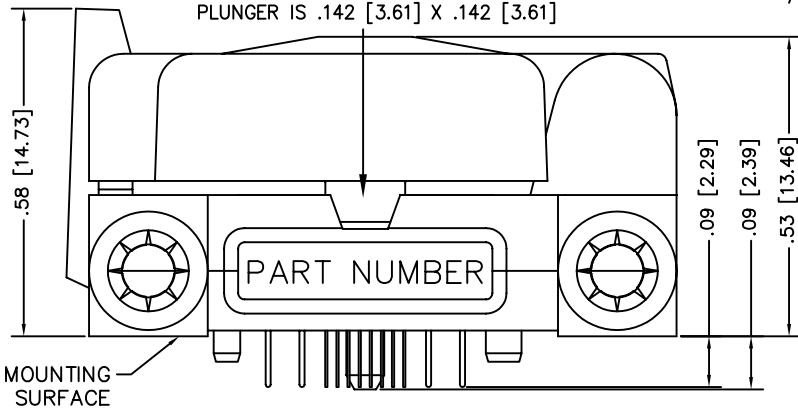


**NOTE : * DIMENSIONS OF SOCKET FEATURES SHOWN.
BOARD DESIGNER SHOULD SELECT APPROPRIATE HOLE
SIZES TO PROVIDE A SLIP FIT FOR THESE FEATURES.**



PLUNGER IS .142 [3.61] X .142 [3.61]



FOOTPRINT AS VIEWED FROM TOP OF SOCKET

PROPRIETARY

PART NUMBER
32QN50H35050

THIS DRAWING IS SUBJECT TO CHANGE WITHOUT NOTICE. PLEASE REQUEST A CURRENT DRAWING WHEN LAYING OUT BOARDS.

FEATURES—H
= OFFSET CONTACT
= CENTER HEAT SLUG

UNLESS OTHERWISE SPECIFIED
 .XXX = ±.003 SURFACE FINISH ✓
 .XX = ±.010
 X = ±.020
 ANGLE = ±1
 ALL DIM ARE IN INCHES
 ALL DIM (XX) ARE MILLIMETERS
 REMOVE ALL BURRS AND SHARP EDGES
 HOLE TOLERANCES
 .0135 THRU .125 = +.004 -.001
 .126 THRU .250 = +.005 -.001
 .251 THRU .500 = +.006 -.001
 .501 THRU .750 = +.008 -.001
 .751 THRU 1.00 = +.010 -.001
 1.001 THRU 2.00 = +.012 -.001

SCALE	NONE	DATE	
DWN	LKI	011607	
CHK			
ENGR			
APPVD			

SIZE	DWG NO.	SH
C	32QN50H35050	1/1
TITLE		
QFN SOCKET; 5 x 5mm, 0.50mm-PITCH; 32 CONTACTS PLUS CENTER HEAT SLUG; THRU-HOLE		
PLASTRONICS		2601 TEXAS DRIVE IRVING, TX. 75062