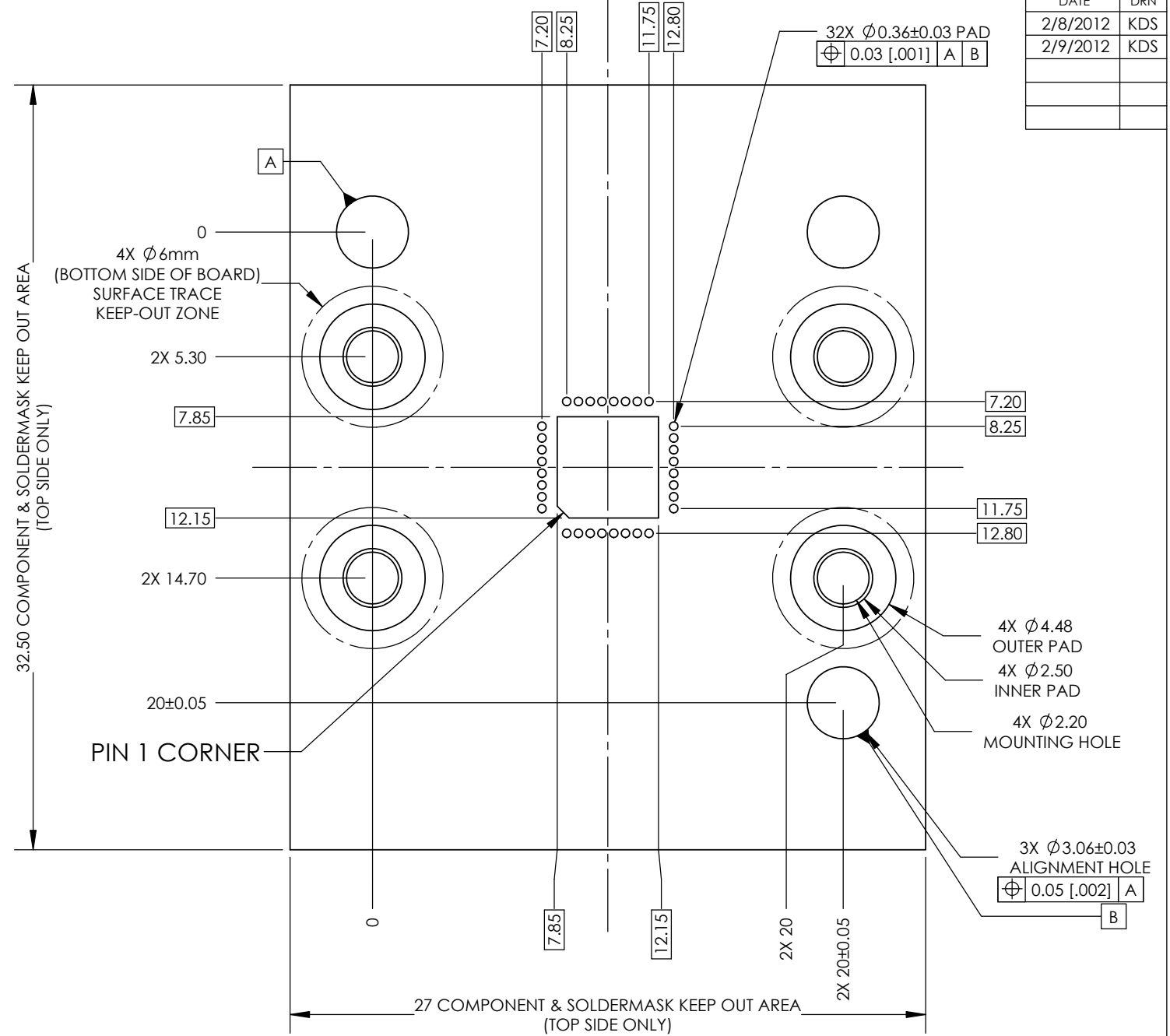
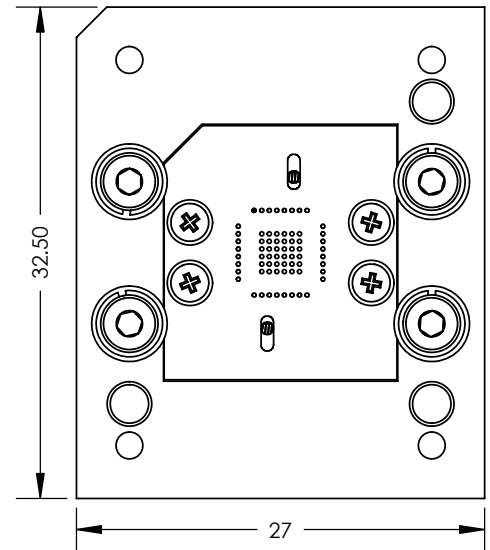
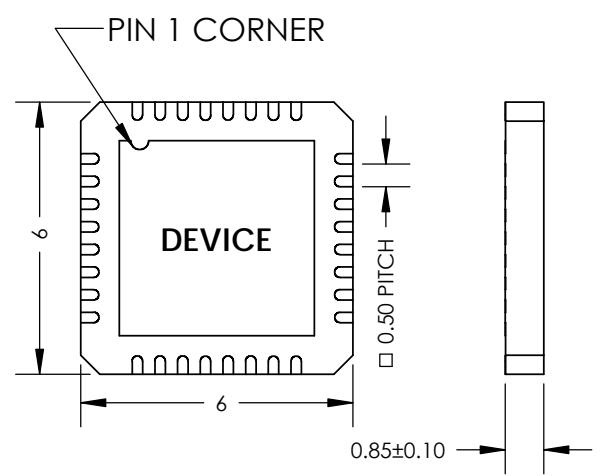
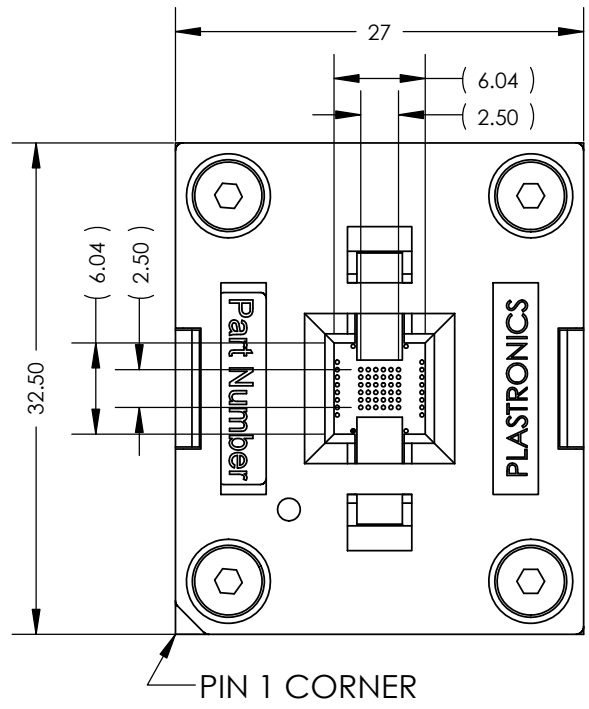


DATE	DRN
2/8/2012	KDS
2/9/2012	KDS



**PCB LAYOUT
(TOP SIDE VIEW)**

NOTES:

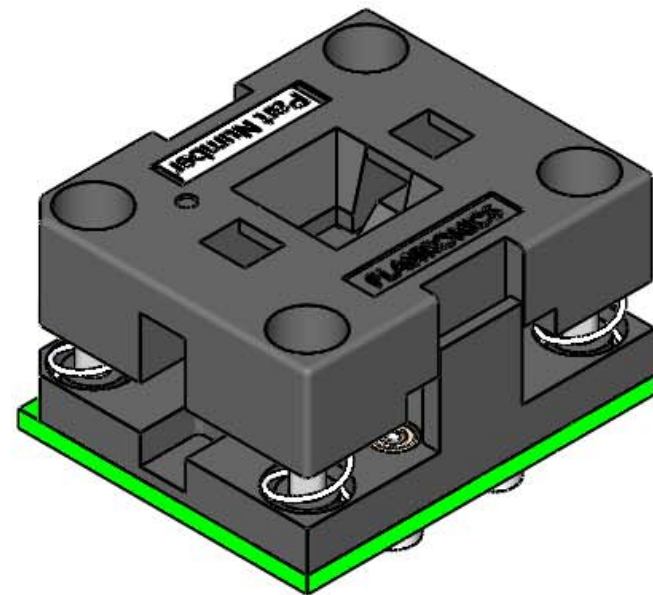
1. PCB PAD PLATING: 30 µin. HARD Au OVER 300 µin. Ni OVER 1oz. MIN. Cu
2. ALL Au PADS SHOULD BE SAME THICKNESS
3. PCB LAYOUT TOLERANCE: ± 0.05mm
4. CAP ACTUATION FORCE IS APPROXIMATELY 4.8 lbf. IN SHUT CONDITION
5. PCB HARDWARE: M2
6. TOOLS REQUIRED FOR ASSEMBLY: 1.5mm ALLEN TORQUE DRIVER
7. CONTACT PLATING: 30 µin. Au OVER 75 µin. Ni
8. CONTACT FORCE: 26gF
9. CONTACT RESISTANCE: < 30 mΩ
10. NO FILLED VIAS. VIAS MUST BE OFFSET FROM PADS.

- FEATURES:**
1. PIN: H038LL2A
 2. DEVICE THICKNESS: (0.85)
 3. 2 SPRING LOADED SIDE LATCHES

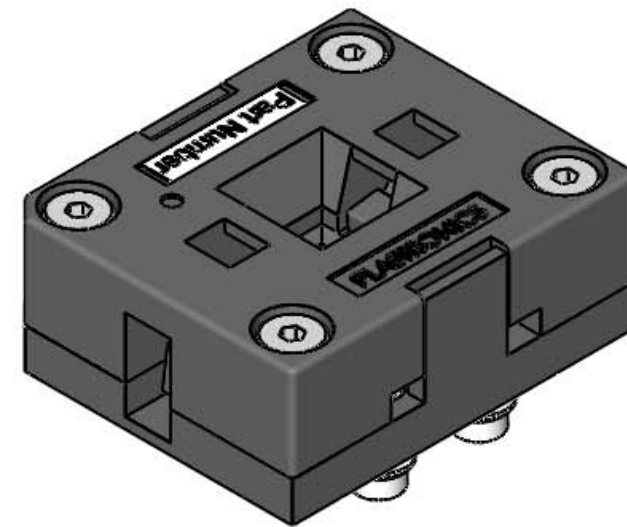
P/N: 32QHRB50Y01

PROPRIETARY

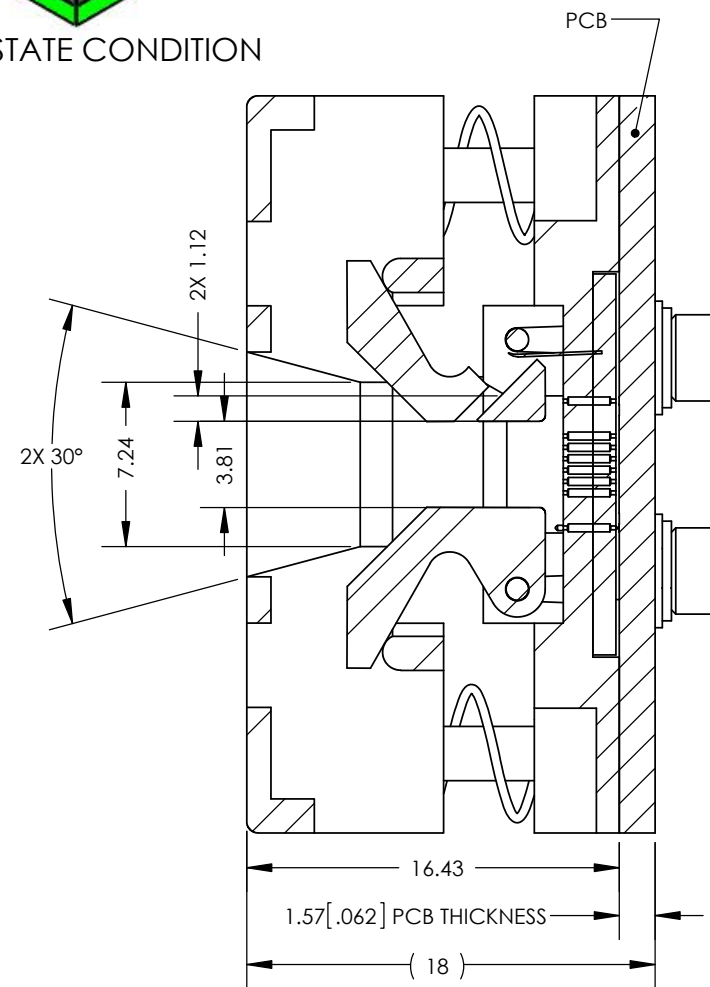
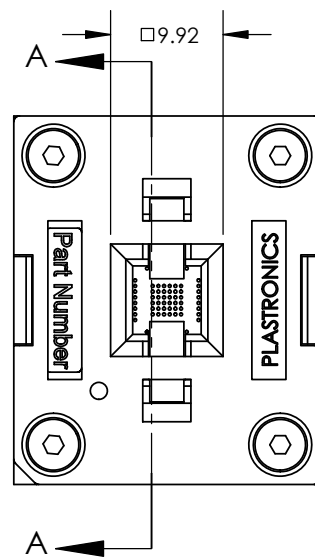
THIS DRAWING IS SUBJECT TO CHANGE WITHOUT NOTICE. PLEASE REQUEST A CURRENT DRAWING WHEN LAYING OUT BOARDS.	SIZE: B	NAME	DATE	DWG NO. S32QHRB50Y01	SHEET 1 OF 2
	DRAWN	KDS	2/8/2012	TITLE: H-PIN QFN OT, 6.0 x 6.0mm DEVICE, 0.50mm PITCH, 32+36x H-PINS	
SCALE: VARIOUS	CHECKED				
UNITS: mmgs	ENG APPR.				
SOLIDWORKS CREATED FILE	MFG APPR.				



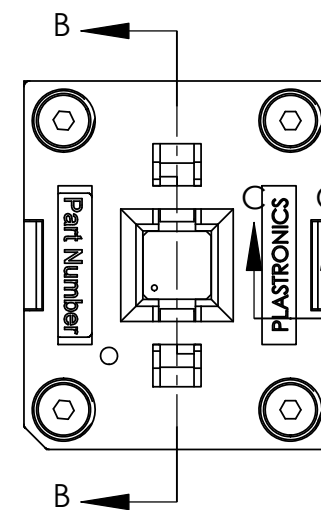
FREESTATE CONDITION



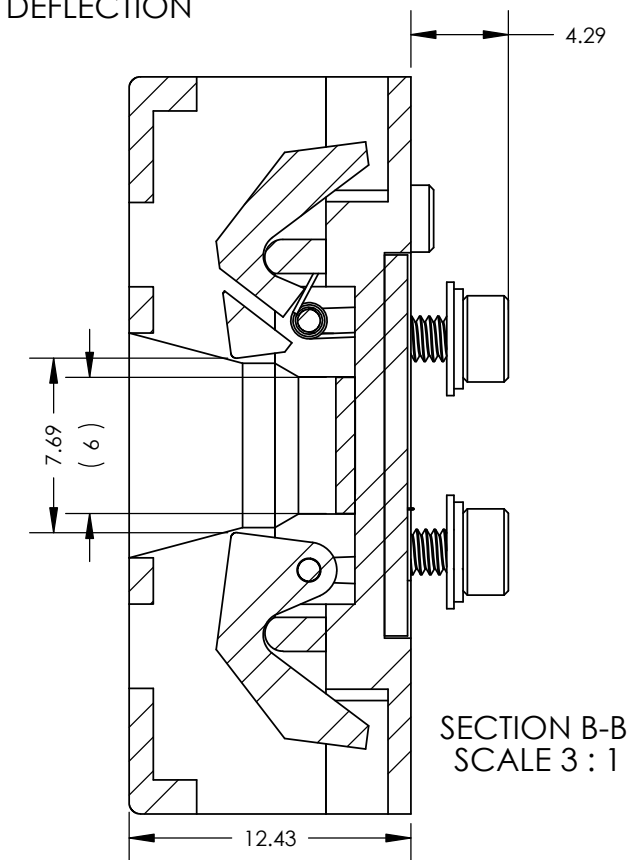
4.0mm MAX DEFLECTION



SECTION A-A
SCALE 3 : 1



PCB HARDWARE



SECTION B-B
SCALE 3 : 1

SECTION C-C
SCALE 3 : 1

- 4X 303081
M2 FLAT WASHER
- 4X 303082
M2 LOCK WASHER
- 4X 303024
M2 x 6mm SOCKET HEAD SCREW
(TIGHTEN TO 2.5in/lb [0.29Nm] MAX)

P/N: 32QHRB50Y01

PROPRIETARY

THIS DRAWING IS SUBJECT TO CHANGE WITHOUT NOTICE. PLEASE REQUEST A CURRENT DRAWING WHEN LAYING OUT BOARDS.	SIZE: B	NAME	DATE	DWG NO. S32QHRB50Y01	SHEET 2 OF 2
	DRAWN	KDS	7/25/2011	TITLE: H-PIN QFN OT, 6.0 x 6.0mm DEVICE, 0.50mm PITCH, 32+36x H-PINS	
SCALE: VARIOUS	CHECKED				
UNITS: mmgs	ENG APPR.				
SOLIDWORKS CREATED FILE	MFG APPR.				