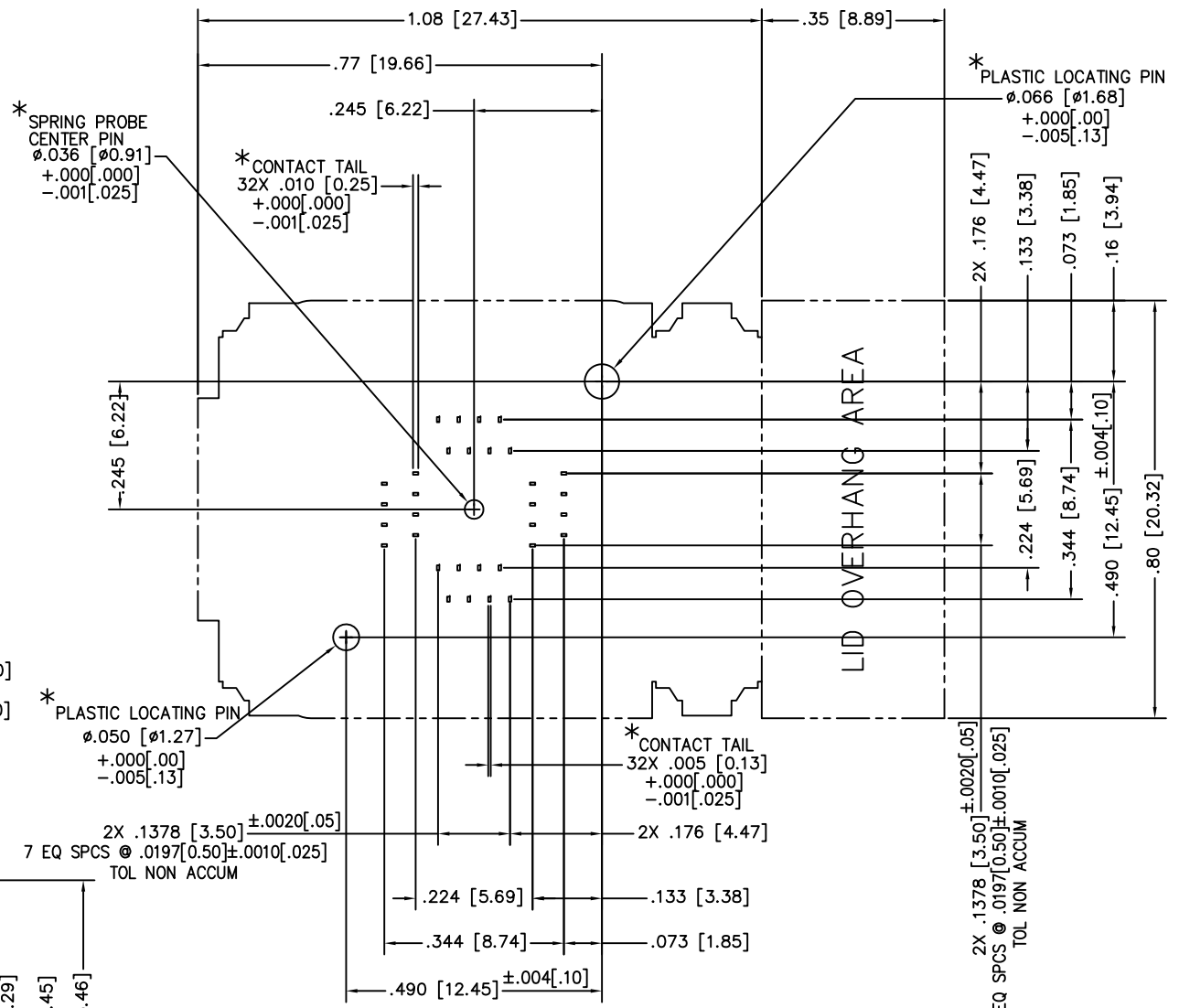
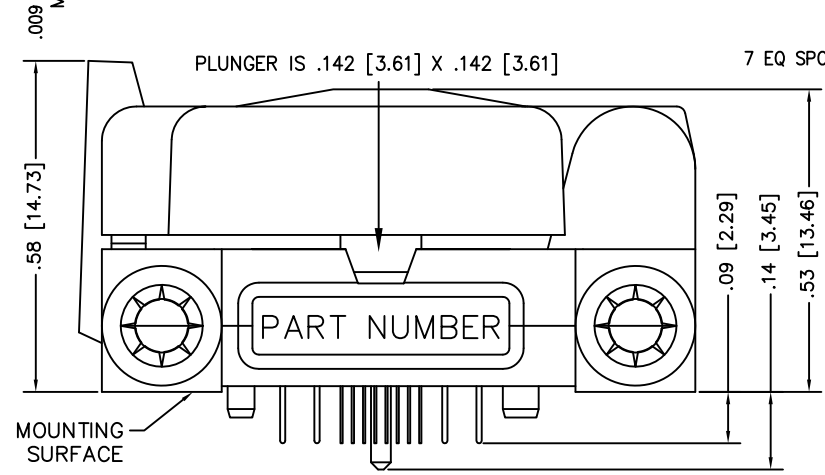
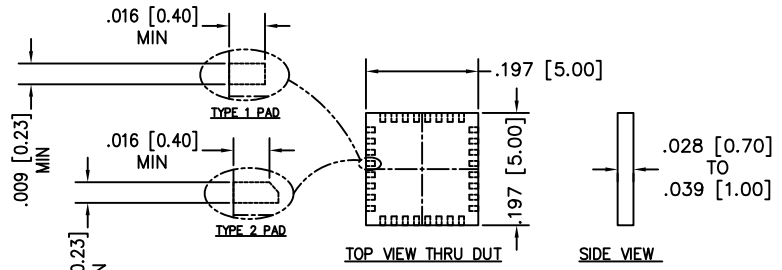
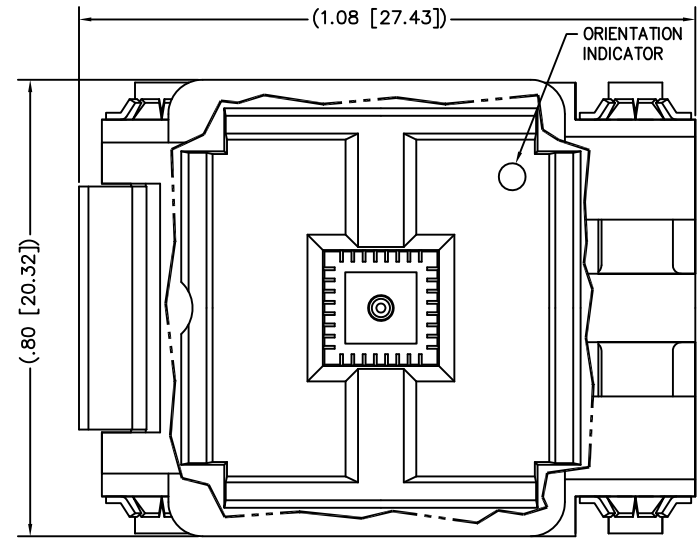


NOTE : * DIMENSIONS OF SOCKET FEATURES SHOWN.
BOARD DESIGNER SHOULD SELECT APPROPRIATE HOLE SIZES TO PROVIDE A SLIP FIT FOR THESE FEATURES.



FOOTPRINT AS VIEWED FROM TOP OF SOCKET

PROPRIETARY

PART NUMBER
32QN50S15050

UNLESS OTHERWISE SPECIFIED
 .XXX = ±.003 SURFACE FINISH ✓
 .XX = ±.010
 .X = ±.020
 ANGLE = #1
 ALL DIM ARE IN INCHES
 ALL DIM (XX) ARE MILLIMETERS
 REMOVE ALL BURRS AND SHARP EDGES
 HOLE TOLERANCES
 .0135 THRU .125 = +.004 -.001
 .126 THRU .250 = +.005 -.001
 .251 THRU .500 = +.006 -.001
 .501 THRU .750 = +.008 -.001
 .751 THRU 1.00 = +.010 -.001
 1.001 THRU 2.00 = +.012 -.001

SCALE	NONE	DATE	
DWN	LKI	080107	
CHK			
ENGR			
APPVD			

SIZE	C	DWG NO.	32QN50S15050	SH	1/1
TITLE					
QFN SOCKET; 5 x 5mm, 0.50mm-PITCH; 32 CONTACTS PLUS SPRING PROBE CENTER PIN; THRU-HOLE					
PLASTRONICS				2601 TEXAS DRIVE IRVING, TX. 75082	

THIS DRAWING IS SUBJECT TO CHANGE WITHOUT NOTICE. PLEASE REQUEST A CURRENT DRAWING WHEN LAYING OUT BOARDS.

FEATURES—S
 = OFFSET CONTACT
 = SPRING PROBE CENTER PIN